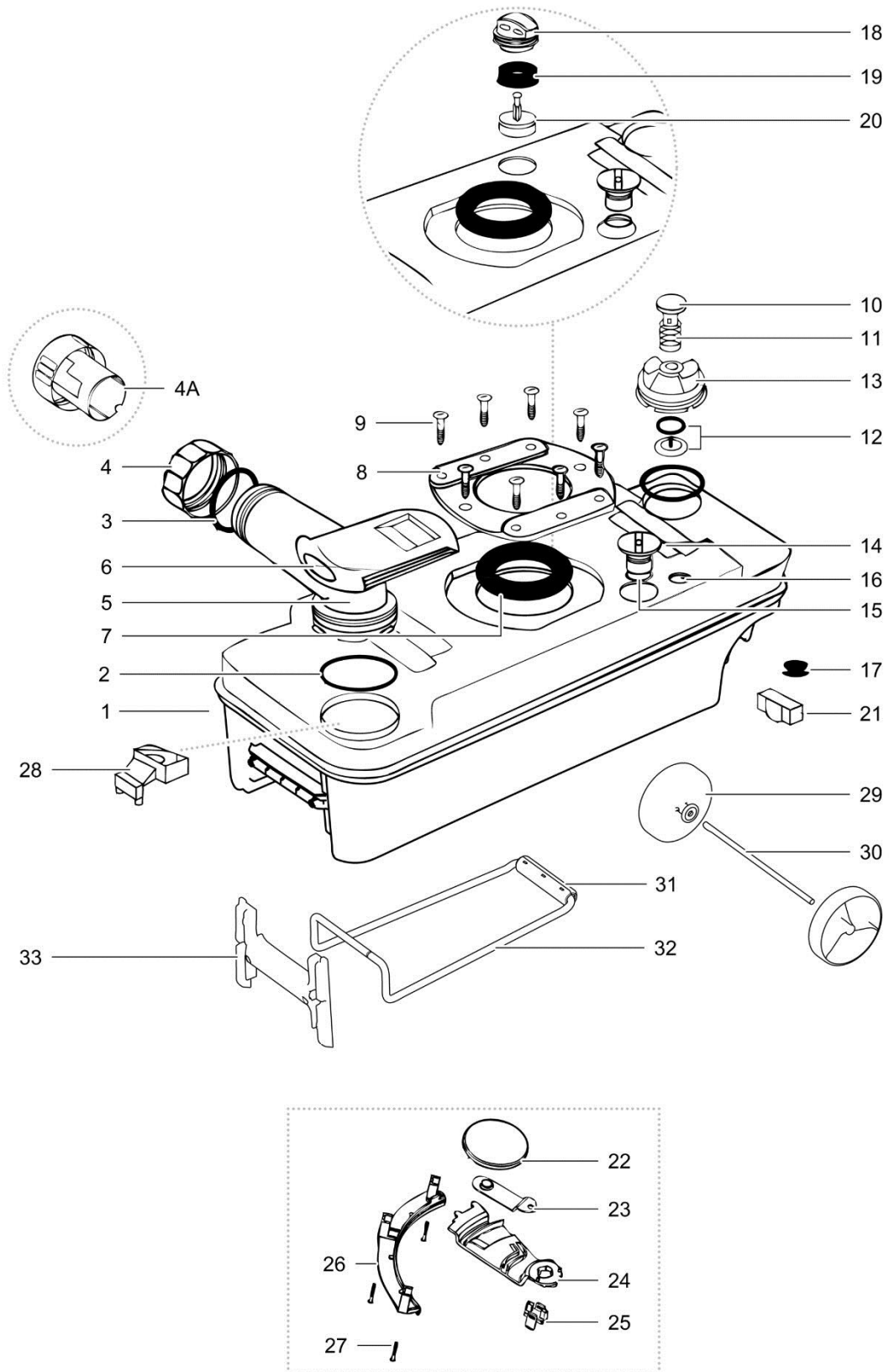


LE1149\_C2 Toilet\_0115-V02

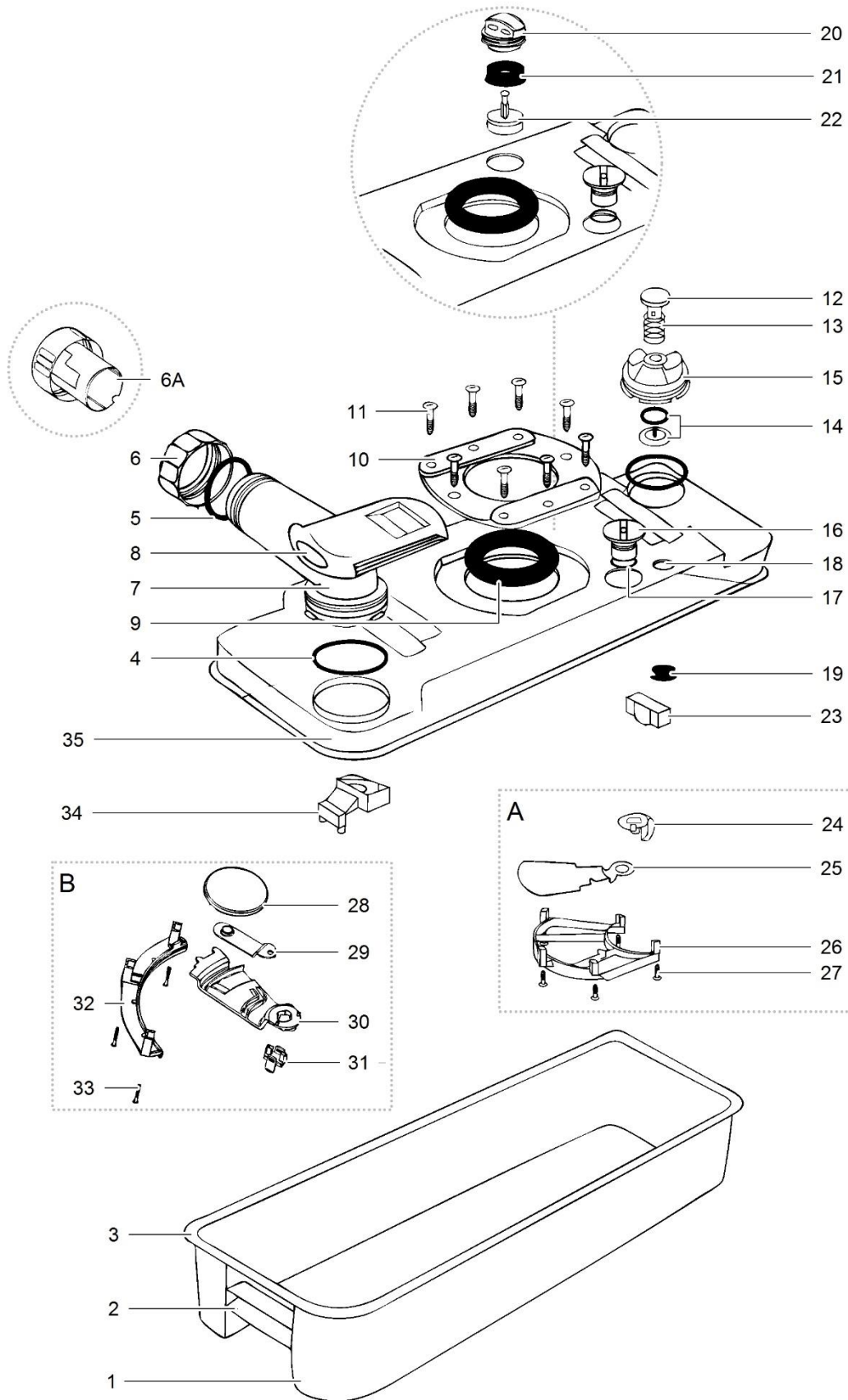
	Spare part number	Spare part number	Colours available	
1	Spring clip retainer	16169		
2	Clip retainer	16350	78	
3	Clip			
4	Drip tray	16166	78	
5	Draincap waterfill funnel	16385	78	
6	Waterfill funnel	16381	74	
7	Cap waterfill funnel		16848	16
8	O-ring			
9	Ball float			
10	O-ring			
11	Stop retainer	16377	62	
12	Nylon bushing			
13	Spring flush knob			
14	Flush knob			
15	Screw			
16	Plug flush knob			
17	Cover	16194	62	
18	Hinge post			16183
19	Hinge pin			
20	Seat			
21	Tissue cap			
22	Tissue holder			
23	Tissue bracket			
24	Tissuwell			
25	O-ring	16731		
26	Bowl			
27	Dial support	16171	62	
28	Magnet			
29	Level indicator dial			
30	Decal level indicator			
31	Lens			
32	Level indicator bezel			
33	Watertank			
34	Base			
35	Frontpanel			
36	Basepad			
37	Extension frontpanel	16266	62	
38	Pump	16374		
39	Pump retainer			
40	Screw			
41	Flush tube	16378	62	
42	O-ring			
43	Nozzle			
44	Flow restrictor			
45	Pump connector	21050		



LE1156\_C2-C3-C4-Waste-holding Tank\_0416-V04

	Spare part number	Spare part number	Spare part number	Colours available
1	Waste-holding tank			
2	O-ring			
3	16195	16384	16196	78
4	Dump cap			74
4A	Measuring cup			78
5	Pour out spout			
6	Sliding cover			74
7	Lip seal			
	<i>Toilets &lt; 15th June 2000</i>			16175
	<i>Toilets &gt; 15th June 2000</i>			23721
8	Seal cover			
9	Screw			
10	07524		16176	78
11	Spring			74
12	Seal retainer			
13	Ventplug			
	Blade opener			
14	<i>Toilets &lt; 15th June 2000</i>			21458
	<i>Toilets &gt; 15th June 2000</i>			200501
15	Cupseal			
16	Venthole			
17	Ventseal			20339
18	Automatic vent upper			23722
	<i>Toilets &gt; June 1993</i>			
19	Seal automatic vent		21528	74
20	Foam			
21	Float vent			21510
	<b>Blade mechanism &gt; 15 June 2000</b>			
22	Blade			23847
23	Blade arm			
24	Blade arm driver			
25	Drive arm retainer			
26	Track support			
27	Screw			
28	Float arm			21322
29	Wheels 2X		200640	142
30	Axis			
31	Grip transport handle		200641	74
32	Transport handle		200643	
33	Transport bracket			200644

	Spare part number	Spare part number	Spare part number	Colours available
Waste-holding tank complete for toilets produced > June 1993 <i>Including sliding cover, wheels and handle</i>		200638 <i>right handed version</i>	200639 <i>left handed version</i>	74



LE1156\_C2-C3-C4-Waste-holding Tank\_0115-V03

	Spare part number	Spare part number	Spare part number	Colours available
1	Waste-holding tank lower			
2	Carry handle			
3	Weld waste-holding tank			
4	O-ring			
5	16195	16384	16196	78
6	Dump cap			74
6A	Measuring cup			78
7	Pour out spout			
8	Sliding cover			74
9	Lip seal			
	<i>Toilets &lt; 15th June 2000</i>			16175
	<i>Toilets &gt; 15th June 2000</i>			23721
10	Seal cover			
11	Screw			
12	07524		16176	78
13	Spring			
14	Seal retainer			74
15	Ventplug			
	Blade opener			
16	<i>Toilets &lt; 15th June 2000</i>			21458
	<i>Toilets &gt; 15th June 2000</i>			200501
17	Cupseal			
18	Venthole			
19	Ventseal			20339
20	Automatic vent upper			23722
	<i>Toilets &gt; June 1993</i>			
21	Seal automatic vent		21528	
22	Foam			
23	Float vent			21510
<b>A</b>	<b>Blade mechanism &lt; 15 June 2000</b>			
24	Blade driver			
25	Blade			
26	Blade retainer			
27	Screw			
<b>B</b>	<b>Blade mechanism &gt; 15 June 2000</b>			
28	Blade			23847
29	Blade arm			
30	Blade arm driver			
31	Drive arm retainer			
32	Track support			
33	Screw			
34	Float arm			21322
35	Waste-holding tank upper			
	Waste-holding tank complete			Refer to page 16

Colour Numbers	Description	Colour reference
06	Slate Grey	RAL 7015
07	Traffic Grey	RAL 7042
10	Ivory-United States	Not available
16	Turquoise Green	RAL 6016
30	Mocha	NCS S 2005-Y40R
38	Grey Beige	RAL 1019
44	Beige-Europe	PMS 05543P
47	White/Silver	Not available
57	Creamy White	RAL 9001
62	White/Grey	Not available
66	Light Ivory	RAL 1015
68	Grey White	RAL 9002
74	Moon Grey	Pantone 417
78	Yellow	RAL 1003
79	Edelweiss	Ideal-Std. 46
88	Grey-Brown	Not available
89	Granite	Not available
90	Anthracite Grey	RAL 7016
92	Orange	Not available
111	Signal White	RAL 9003
127	White	NCS S 0300-N
130	Ruby Red	RAL 3003
132	Signal Black	RAL 9004
133	Agate Grey	RAL 7038
135	Light Grey Granite	Not available