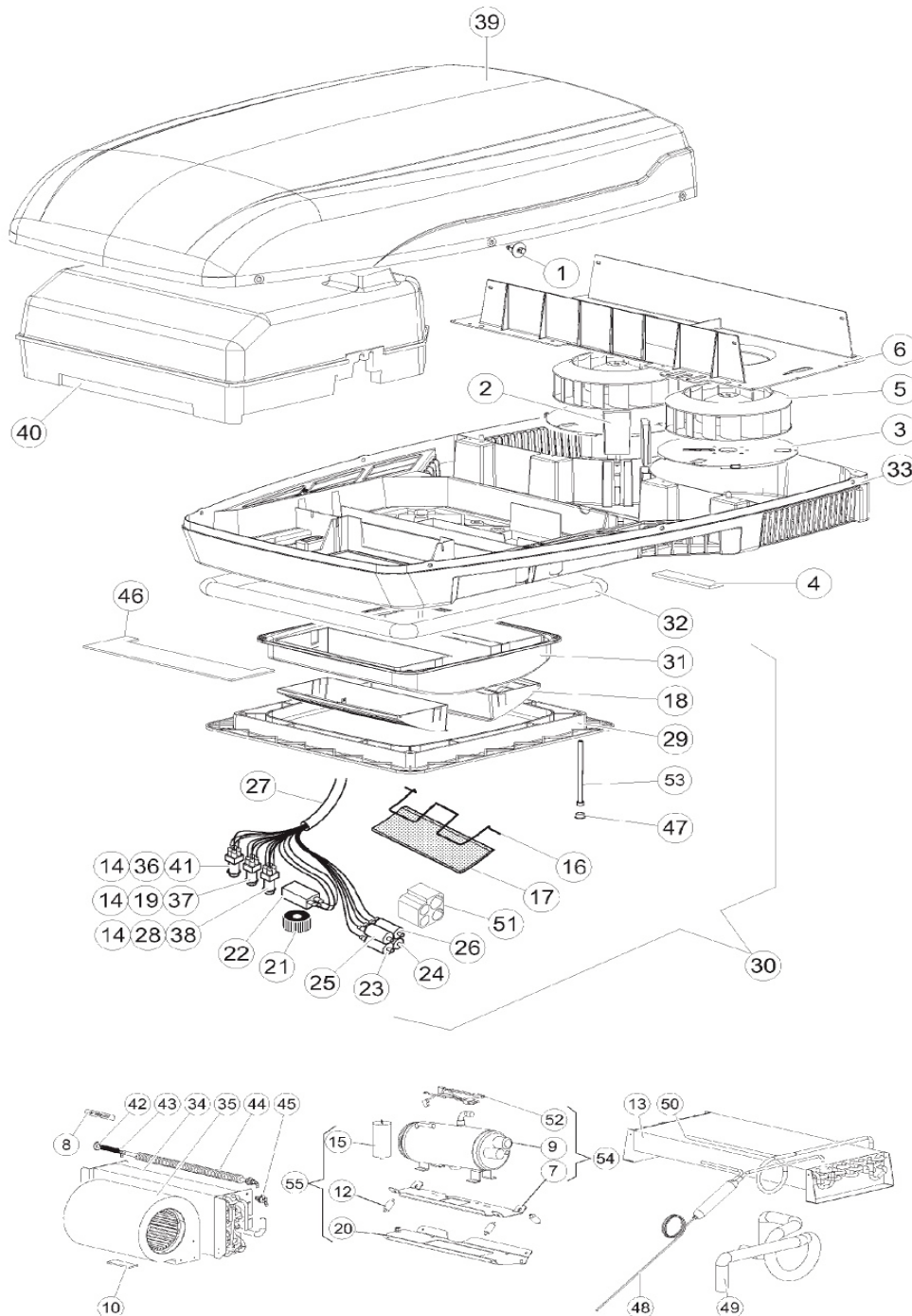


Net weight (kg) 33  
 Cooling capacity (BTU/h) 2.0 kW (6.800)  
 Fan speed (kW) 2  
 Dimensions (LxWxH) (mm) 980 x 650 x 235  
 Full Load, cooling (A) 4  
 Electrical rating 230V-50 Hz  
 Circuit (A /sec) 18/0.15  
 Consumption, cooling mode (W) 910  
 Consumption, heating mode (W) 1200  
 Fuse (A) 5  
 Roof cut out (mm) 400 x 400



# COMPLETE APPLIANCE

1	RIVET TWO STAGE	386016088
2	BOSS	3863500678
3	VENTILATOR PLATE	3862301326
4	SEAL	3863500686
5	VENTILATOR	3867200168
6	AIR GUIDE SHEET	3862301318
7	MOUNTING/HOLDER	3861404329
8	BADGE-1900S	3868500525
9	COMPRESSOR	3867400131
10	SEAL	3863500546
12	BUSHES/DAMPERS	3862500661
13	CAPACITOR	3861900219
14	SWITCH HOLDER	3866001484
15	CAPACITOR	3866001591
16	AIR FILTER RETAINING CLIP	3860500051
17	AIR FILTER	3864400076
18	AIR VENT GRID BLACK	3862300401
19	SWITCH	3866001476
20	HOLDER/BRACKET	3861404311
21	THERMOSTAT KNOB	3862300542
22	THERMOSTAT	3865400026
23	CAPACITOR 7uF	3866001856
24	CAPACITOR 12uF	3866001567
25	CAPACITOR 2uF	3866001849
26	CAPACITOR	3866001674
27	MAIN WIRING HARNESS	3866002292
28	SWITCH	3866001468
29	INNER FRAME	3862300393
30	COMPLETE AIR DISTRIBUTOR	3869002232
31	AIR DISPENSER BODY	3862300385
32	MAIN SEAL/GASKET	3862500224
33	LOWER FRAME/BASE	3862301201
34	EVAPORATOR	3861900110
35	FRONT FAN ID.D2E133	3867200101
36	SWITCH	3866001450
37	SWITCH DEV,DEV	3866001443
38	SWITCH NA,NC	3866001435
39	MAIN COVER/HOOD WHITE	3862301219
40	INNER COVER/HOOD	3863502476
41	SWITCH NA,NA	3866001427
42	WASHER	3861000200
43	SPRING	3860500036
44	HEATER ELEMENT 1100W	3866001666
45	SAFTEY CUT OUT/PROTECTION	3866000544
46	INSULATION	3863500223
47	SCREW CAP	3862300559
48	FILTER	3862701194
49	PIPE	3862701178
50	PIPE	3862701186
51	RECEPTOR FOR CAPACITOR	3863500371
52	COMPRESSOR WIRING HARNESS	3866001401
53	BOLT	3860100498
54	COMPRESSOR	3869002877
55	HOLDER KIT	3869002869