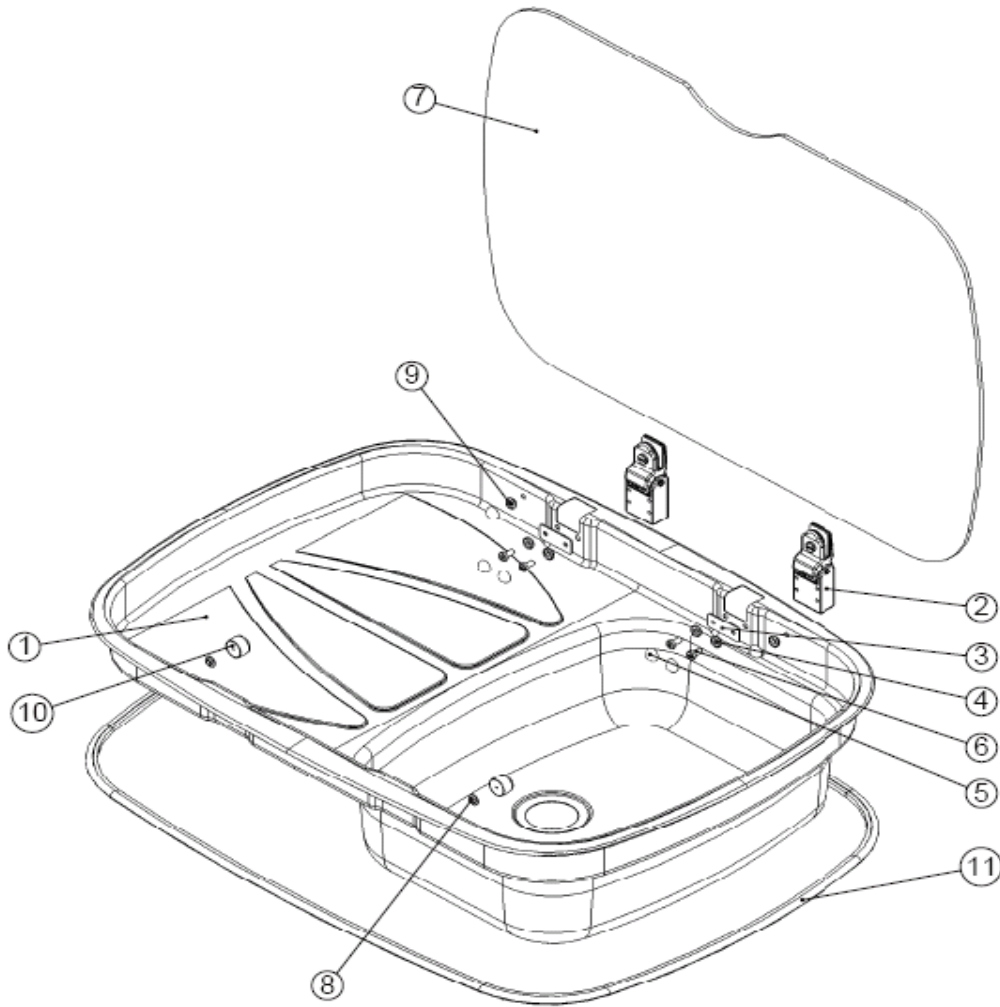


ARGENT SINK - EXPLODED DRAWING (GENERIC)



SK1080

ARGENT SINK (Models SSK)

MODELS SSK

Drw No.	Part Code	Description	1001	1003	1004	1005	1006	1007	1008	1010	1011	1012	1016	1017	1018	1019	1023
1	SMCP6000.??	Press, Arg SK, 630x470 LH				S				CM			CM		CM		
1	SMCP6001.??	Press, Arg SK, 630x470 RH	S				S				CM			CM		CM	
1	SMCP6002.??	Press, Arg SK, 630x470 LH (Dethleffs)															
1	SMCP6003.??	Press, Arg SK, 630x470 RH (Dethleffs)															
1	SMCP6005.??	Press, Arg SK, 630x470 T30 LH						S				CM					
1	SMCP6006.??	Press, Arg SK, 630x470 T30 RH							S								
1	SMCP6007.??	Press, Arg SK, 630x470 T39 LH		S													
1	SMCP6008.??	Press, Arg SK, 630x470 T39 RH			S												
1	SMCP6010.??	Press, Arg SK, 630x470 SH LH															
1	SMCP6011??	Press, Arg SK, 630x470 SH RH															
1	SMCP6027.??	Press, Arg SK, 630x470 T35 LH															S
1	SMCP6028.??	Press, Arg SK, 630x470 T35 RH															
1	SMCP6100.??	Press, Arg SK, 630x470 CM															
1	SMCP6200.??	Press, Arg SKSH, 630x470 LH															
1	SMCP6201.??	Press, Arg SKSH, 630x470 RH															
2	SPCC2005.BK	Hinge, Glass Lid 2001 Style	x	x	x	x	x	x	x	x	x	x	x	x	x	x	x
4	SPCX0370	Washer, Cap Ring, M4, Nylon, WH	x	x	x	x	x	x	x	x	x	x	x	x	x	x	x
5	SPCX0371.GR	Cover, Cap Ring, M4, Nylon, Grey	x	x	x	x	x	x	x	x	x	x	x	x	x	x	x
7	SPCC1910.BK	Glass, 594x398x4mm BK Inset BK	x	x	x	x	x	x	x	x	x	x			x	x	x
7	SPCC1912.BK	Glass, CH, 594x398x4mm BK Inset BK											x	x			x
7	SPCC1911.FWH	Glass, 594x398x4mm FWH Inset BK															
7	SPCC1915.BK	Glass, 594x398x4mm Inset SK, Solid BK															
8	SPCX0368	Insulation Sleeve, Nylon, White	x	x	x	x	x	x	x	x	x	x	x	x	x	x	
9	SPCX0369	Washer, shoulder, M4, Nylon, White	x	x	x	x	x	x	x	x	x	x	x	x	x	x	x
10	SPCX0385	Bump Stop, Rubber s/fix Dia17	x	x	x	x	x	x	x	x	x	x	x	x	x	x	x
11	SPCC1201	Bezel, inset/lip, 2100mm Sink BK	x	x	x	x	x	x	x	x	x						x
11	SPCC1204	Bezel, inset/lip, 2100mm Sink BK											x	x	x	x	

ARGENT SINK (Models SSK)

Drw No.	Part Code	Description	1024	1025	1026	1027	1028	1045	1046	1050	1051	1060	1061	1075	1075Z	1076	1076Z
1	SMCP6000.??	Press, Arg SK, 630x470 LH		S				S		MG		BK		S	S		
1	SMCP6001.??	Press, Arg SK, 630x470 RH			S				S		MG		BK			S	S
1	SMCP6002.??	Press, Arg SK, 630x470 LH (Dethleffs)				S											
1	SMCP6003.??	Press, Arg SK, 630x470 RH (Dethleffs)					S										
1	SMCP6005.??	Press, Arg SK, 630x470 T30 LH															
1	SMCP6006.??	Press, Arg SK, 630x470 T30 RH															
1	SMCP6007.??	Press, Arg SK, 630x470 T39 LH															
1	SMCP6008.??	Press, Arg SK, 630x470 T39 RH															
1	SMCP6010.??	Press, Arg SK, 630x470 SH LH															
1	SMCP6011??	Press, Arg SK, 630x470 SH RH															
1	SMCP6027.??	Press, Arg SK, 630x470 T35 LH															
1	SMCP6028.??	Press, Arg SK, 630x470 T35 RH	S														
1	SMCP6100.??	Press, Arg SK, 630x470 CM															
1	SMCP6200.??	Press, Arg SKSH, 630x470 LH															
1	SMCP6201.??	Press, Arg SKSH, 630x470 RH															
2	SPCC2005.BK	Hinge, Glass Lid 2001 Style	x	x	x	x	x	x	x	x	x	x	x	x	x	x	x
4	SPCX0370	Washer, Cap Ring, M4, Nylon, WH	x	x	x	x	x	x	x	x	x	x	x	x	x	x	x
5	SPCX0371.GR	Cover, Cap Ring, M4, Nylon, Grey	x	x	x	x	x	x	x	x	x	x	x	x	x	x	x
7	SPCC1910.BK	Glass, 594x398x4mm BK Inset BK	x	x	x	x	x	x	x	x	x	x	x	x	x	x	x
7	SPCC1912.BK	Glass, CH, 594x398x4mm BK Inset BK	x	x	x	x	x			x	x						
7	SPCC1911.FWH	Glass, 594x398x4mm FWH Inset BK						x	x			x	x	x	x	x	x
7	SPCC1915.BK	Glass, 594x398x4mm Inset SK, Solid BK															
8	SPCX0368	Insulation Sleeve, Nylon, White															
9	SPCX0369	Washer, shoulder, M4, Nylon, White	x	x	x	x	x	x	x	x	x	x	x	x	x	x	x
10	SPCX0385	Bump Stop, Rubber s/fix Dia17	x	x	x	x	x	x	x	x	x	x	x	x	x	x	x
11	SPCC1201	Bezel, inset/lip, 2100mm Sink BK	x			x	x			x	x			x		x	
11	SPCC1204	Bezel, inset/lip, 2100mm Sink BK		x	x			x	x			x	x		x		x

ARGENT SINK (Models SSK)

Drw No.	Part Code	Description	1077	1078	1090	1091	1092	1093	1095	1096	1110	1205	1210	1211
1	SMCP6000.??	Press, Arg SK, 630x470 LH			LNS		LNS							
1	SMCP6001.??	Press, Arg SK, 630x470 RH				LNS		LNS						
1	SMCP6002.??	Press, Arg SK, 630x470 LH (Dethleffs)												
1	SMCP6003.??	Press, Arg SK, 630x470 RH (Dethleffs)												
1	SMCP6005.??	Press, Arg SK, 630x470 T30 LH	S											
1	SMCP6006.??	Press, Arg SK, 630x470 T30 RH		S										
1	SMCP6007.??	Press, Arg SK, 630x470 T39 LH												
1	SMCP6008.??	Press, Arg SK, 630x470 T39 RH												
1	SMCP6010.??	Press, Arg SK, 630x470 SH LH							S					
1	SMCP6011??	Press, Arg SK, 630x470 SH RH								S				
1	SMCP6027.??	Press, Arg SK, 630x470 T35 LH												
1	SMCP6028.??	Press, Arg SK, 630x470 T35 RH												
1	SMCP6100.??	Press, Arg SK, 630x470 CM									CM			
1	SMCP6200.??	Press, Arg SKSH, 630x470 LH										S	S	
1	SMCP6201.??	Press, Arg SKSH, 630x470 RH												S
2	SPCC2005.BK	Hinge, Glass Lid 2001 Style	x	x	x	x	x	x	x	x		x	x	x
4	SPCX0370	Washer, Cap Ring, M4, Nylon, WH	x	x	x	x	x	x	x	x		x	x	x
5	SPCX0371.GR	Cover, Cap Ring, M4, Nylon, Grey	x	x	x	x	x	x	x	x		x	x	x
7	SPCC1910.BK	Glass, 594x398x4mm BK Inset BK	x	x	x	x	x	x	x	x	x	x	x	x
7	SPCC1912.BK	Glass, CH, 594x398x4mm BK Inset BK							x	x		x		
7	SPCC1911.FWH	Glass, 594x398x4mm FWH Inset BK	x	x	x	x								
7	SPCC1915.BK	Glass, 594x398x4mm Inset SK, Solid BK					x	x						
8	SPCX0368	Insulation Sleeve, Nylon, White											x	x
9	SPCX0369	Washer, shoulder, M4, Nylon, White	x	x	x	x	x	x	x	x		x	x	x
10	SPCX0385	Bump Stop, Rubber s/fix Dia17	x	x	x	x	x	x	x	x		x	x	x
11	SPCC1201	Bezel, inset/lip, 2100mm Sink BK	x	x					x	x		x		
11	SPCC1204	Bezel, inset/lip, 2100mm Sink BK			x	x	x	x			x		x	x