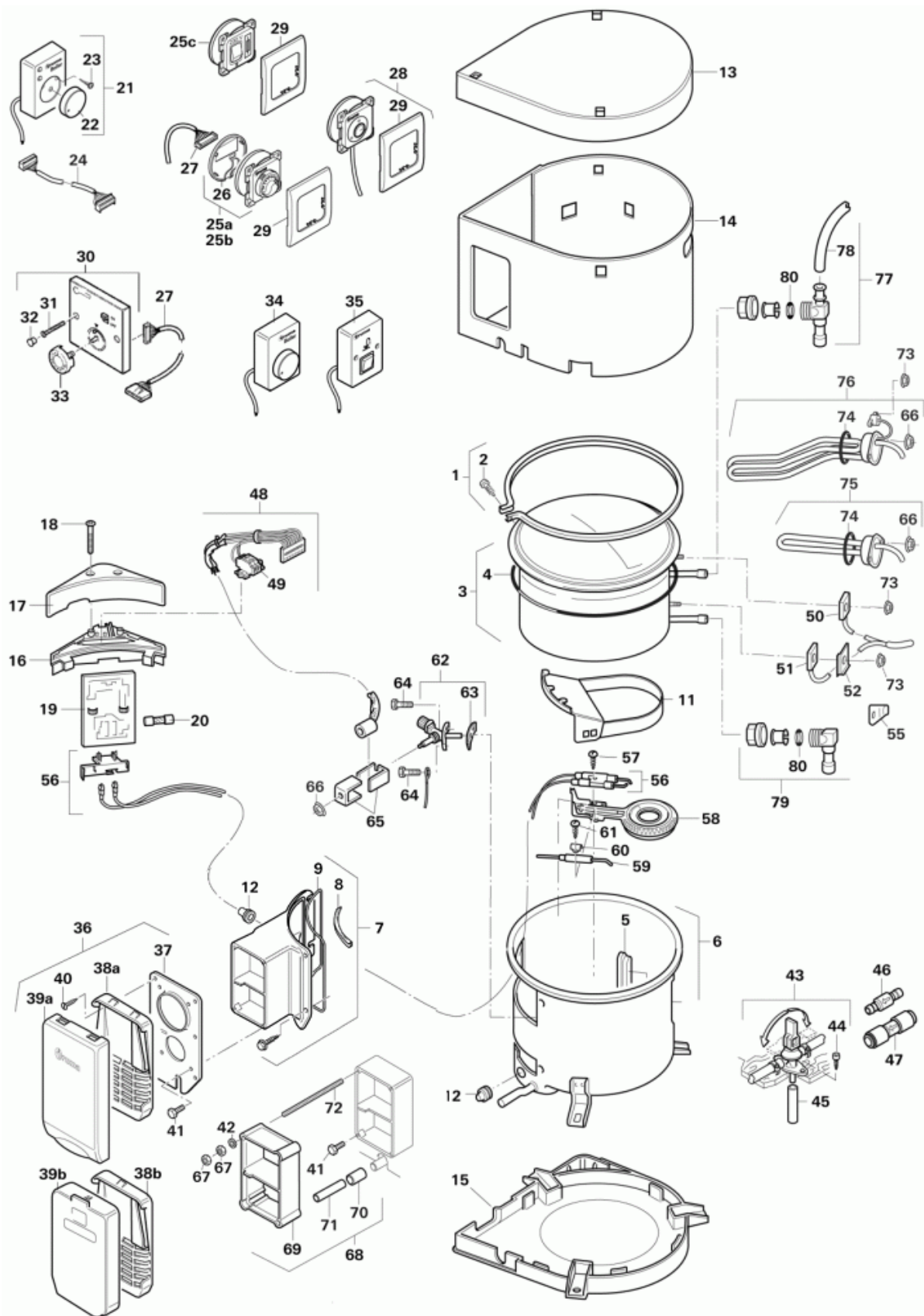




Boiler series 3 - from 07/93 / Ultrastore (Boiler UK)



Pos.	Part-No.	Description	Information
01	70000-41200	Clamp ring with screw	
02	10010-66700	Screw B 5.5 x 32	
03	70020-60500	Water container B 10 litre	complete with blind flange and sealing ring
03	70020-60600	Water container B 14 litre	complete with blind flange and sealing ring
04	70000-14100	Sealing ring	
05	70000-13300	Form ring	
06	70000-36200	Outer pot	
07	70000-36300	Oriel with gaskets	c/w screws B 4.8 x 13
08	70000-29100	Profiled gasket	140 mm long
09	70020-60800	Silicon square sealing, 65 cm	6 x 6 mm
11	70000-36100	Wind guide	
12	70000-37300	Leadtrough	
13	70020-09900	Case lid	
14	70020-09700	Casing 14 litre	
14	70020-09800	Casing 10 litre	
15	70020-09600	Case floor	
16	70020-09400	Electronic housing cover	
17	70020-09300	Electronic housing lid	
18	10010-79100	Screw B 2.9 x 32	
19	70020-72000	Electronic	
19	70020-72100	Exchange-Electronic	Exchange price, when returning the defective electronic to the factory
20	70000-07100	Fuse 1.6 AT	from fabr.-no. 11138091
20	70000-28900	Fuse 1.25 AT	until fabr.-no. 11138090
21	70000-57900	Control panel	until 04/02 complete with 2.5 m cable
22	40000-00100	Control knob complete	
23	10010-78900	Screw B 2.9 x 25	
24	70000-53500	Extension cable 5 m for control panel	
25a	70000-09600	Control panel Boiler	from 05/02 (without cable)
25b	70000-06700	Control panel Ultrastore	from 05/02 (without cable)
25c	70020-04900	Control panel 230 V Ultrastore	form 07/2006 (special version England) without cable
26	34000-60500	Housing cover	for control panel from 05/02
27	70000-96200	Control panel cable 3m	
28	70000-00100	Control panel Boiler EL	form 05/02 complete with 3 m cable
28	00000-00500	Control panel Ultrastore EL	form 05/02 complete, order only by Truma UK (special version England)
29	34000-60600	Cover frame agate grey	for control panel from 05/02 - further colours upon request
30	00000-00600	Control pan. Ultrastore	order only by Truma UK (special version England) without cable
31	00000-01000	Screw M 3.5 x 25	order only by Truma UK (special version England)
32	30030-96900	Screw cover	
33	70000-99400	Control knob	
34	00000-00001	not available	Control panel BN complete (spare pos. 35)
35	70000-01600	Control panel 230 V, 2.5 m	for electric heating 230 V
36	70020-44500	Wall cowl complete white	
36	70020-44800	Wall cowl complete black	
36	70020-44700	Wall cowl complete ivory	
36	70020-44600	Wall cowl complete bianco	
37	70000-43900	Cowl floor plate	
38a	70020-07000	Grill for wall cowl B 3 white	form 07/2006
38a	70020-07100	Grill for wall cowl B 3 bianco	form 07/2006
38a	70020-07200	Grill for wall cowl B 3 ivory	form 07/2006

38a	70020-07300	Grill for wall cowl B 3 black	form 07/2006
38b	70000-25300	Grill for wall cowl bianco	until 06/2006
38b	70000-43200	Grill for wall cowl cream	until 06/2006
38b	70020-54700	Grill for wall cowl black	until 06/2006
39a	70122-01	Cowl cover KBS 3 white	form 07/2006
39a	70122-02	Cowl cover KBS 3 bianco	form 07/2006
39a	70122-03	Cowl cover KBS 3 ivory	form 07/2006
39a	70122-04	Cowl cover KBS 3 black	form 07/2006
39b	70121-05	Cowl cover KBS 2 black	until 06/2006
39b	70121-04	Cowl cover KBS 2 bianco	until 06/2006
39b	70121-01	Cowl cover KBS 2 cream	until 06/2006
40	10010-72900	Screw B 3.5 x 25	
41	10010-83300	Screw M 4 x 10, Torx	
42	10020-20100	Washer 4.3	
43	70141-02	Drain valve Bo TB	with connector for flexible water hoses Ø 10 mm
43	70142-05	Drain valve Bo JG	with pipe Ø 12 mm for rigid piping (John Guest System)
44	10010-66200	Screw B 5.5 x 25	
45	70000-20200	Drain tube, 110 mm long	PVC non-rigid
46	70000-03300	Non return valve TB	with connector for flexible water hoses Ø 10 mm with breather tube
47	70020-03500	Non return valve J.G. 12 mm	with pipe Ø 12 mm for rigid piping (John Guest System)
48	70000-56300	Cable harness	
49	70000-26400	Connection clamp	blue/orange
50	34000-34200	Thermostat overtemp	
51	34000-34300	Temperature sensing device	
52	70000-07000	Heat conducting plate	not for Boiler with 230 V electrical heating
55	70000-52900	Switch clamp	only for Boiler until 02/95
56	70020-10200	Electronic floor plate c/w spark el.	
57	10010-63100	Screw B 2.9 x 19 torx	
58	70000-54200	Burner	
59	70000-56200	Flame rectification electrode	
60	70000-34500	Clamp	
61	10010-70000	Screw B 2.9 x 6.5 torx	
62	70000-38200	Solenoid valve 30 mbar	complete with gasket
62	70000-36500	Solenoid valve 50 mbar	complete with gasket
63	70000-35800	Gasket	for valve body
64	10010-65300	Screw B 4.2 x 19	
65	70000-54600	Set coil holders	
66	10020-25000	Selflocking nut M 4	
67	10020-17500	Nut M 4	
68	70131-00	Cowl extension VBO 2 complete	
69	70000-34200	Extension	
70	70000-17900	Connection tube	
71	70000-18000	Distance tube	
72	70000-49500	Threaded bolt M 4	
73	10020-16800	Nut M 3 with washer	
74	10030-15700	O-ring 32 x 2.8 Silicon	for heating element 230 V
75	70000-02500	Heating element 230 V, 450 W	until 06/03, fabr.-no. 14161060
76	70010-03000	Heating element 230 V, 850 W	from 07/03, fabr.-no. 14161061
77	34150-01	Elbow fitting 2 flex.	with connector for flexible water hoses Ø 10 mm with breather tube
77	34151-03	Elbow fitting 2 J.G. 12mm	with pipe Ø 12 mm for rigid piping (John Guest System) with breather tube
78	34000-17700	Condensation tube	8 x 1.5 (900 mm long)

79	70151-03	Elbow fitting J.G. 12 mm, blue	with pipe Ø 12 mm for rigid piping (John Guest System)
79	70150-01	Elbow fitting TB	with connector for flexible water hoses Ø 10 mm
80	10030-21600	O-ring 10 x 25	
