

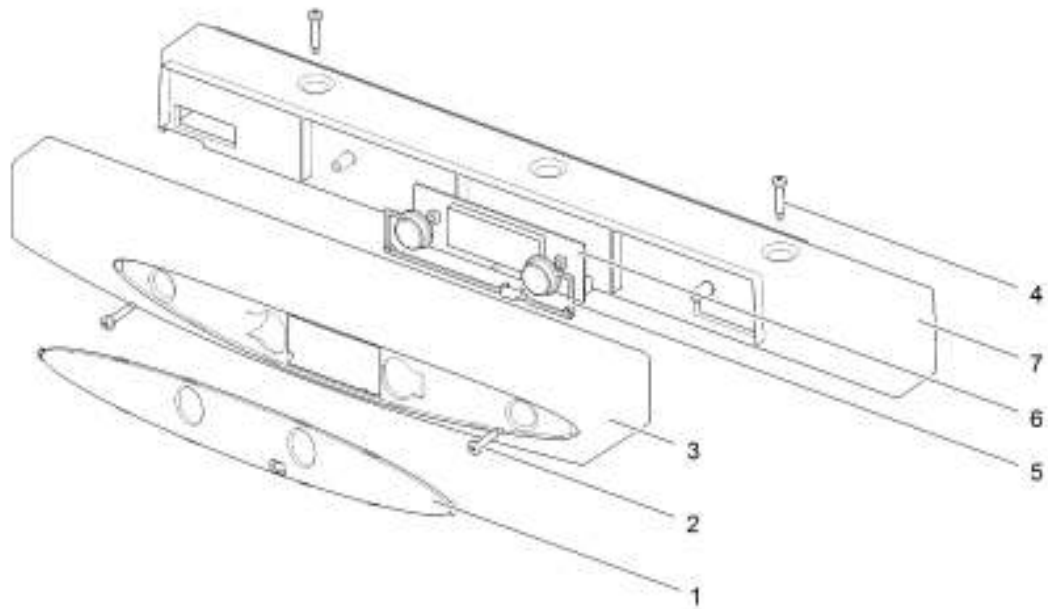
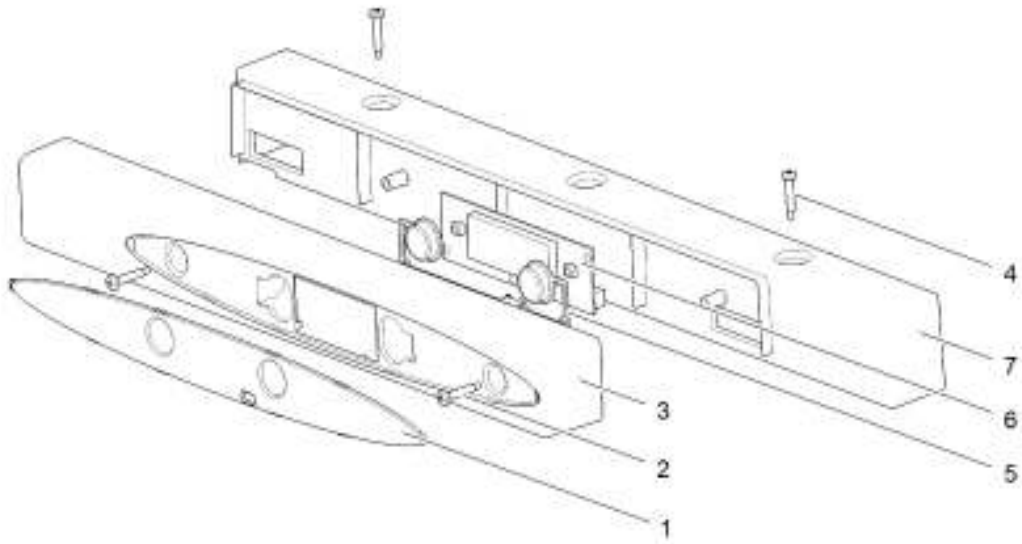
20*



LE1036 - N100-Icon_5614-1/02

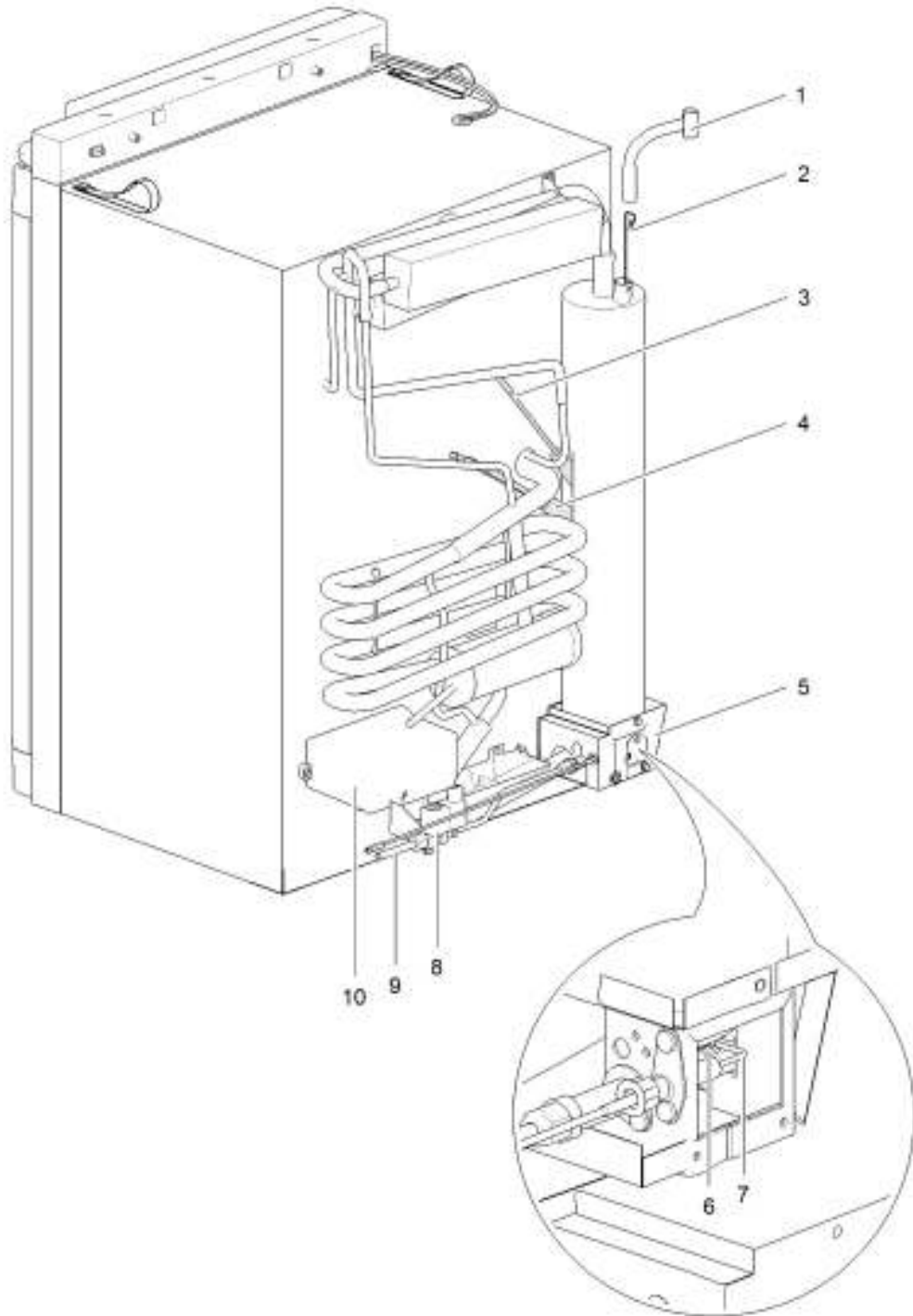
		Spare part number	Spare part number	Colours available
1	Latch		626985	07, 27, 136
2	Storage strap	626986		27
3	Strike plate			
4	Pocket cover			
5	Freezer door		690852	
	Hinge freezer door (2x)	624680		08
6	Hinge plate			
7	Interior light switch	623061		
8	Cap (2x)	623622		08
9	Control panel	<i>Refer to page 22</i>		
10	Mounting box	<i>Refer to page 22</i>		
11	Ice cube tray			
12	Cap freezer bolt (2x)	624479		08
13	Fin			
14	Interior light bulb	624003		
15	Interior light cover	624002		
16	Fin clip (3x)	623059		
17	Thermistor	623077		
18	Shelf 455 x 118.2	623047		08
19	Clip shelf small	623626		08
20	Identification label *			
21	Shelf 455 x 212.3	623055		08
22	Clip shelf large	623625		08
23	Shelf food retainer	624456		08
24	Shelf tray insert 403 x 192	623635		12
25	Hinge pin			
26	Flip top cover	623615		
27	Vegetable bin	623618		
28	Latch bottom	624001		27
29	Hinge plate			
30	Door bin	690818		08
31	Bottle retainer	623042		12
32	Door bin	690817		08

* With a request for information or service, always provide the serial number of the refrigerator. The serial number is the code below the barcode on the identification label.



		Spare part number	Spare part number	Colours available
1	Overlay			
	Electric version	626975		
	Automatic version	631737		
2	Screw			
3	Control panel			
	Flat	626974		07, 27
	Curved	626973		07, 27
4	Screw			
5	Push buttons			
6	Display board LCD	626972		
7	Mounting box*			

* not for N145, N150 and N175



LE1006_N100-N104/1115-back_BB13-AV1

		Spare part number	Spare part number	Colours available
1	Flue exhaust			
	Short	627008		
	Long	624480		
2	Heat diffuser			
3	Heater AC			
	< 02/07/2009 (E183K.....)	626994		
	≥ 02/07/2009 (E183K.....)	633575		
4	Heater DC			
	< 02/07/2009 (E183K.....)	626995		
	≥ 02/07/2009 (E183K.....)	633574		
5	Heater box			
6	Burner assembly	623019		
7	Spark electrode	631736		
8	Gas valve			
	< 27/09/2006 (E270F.....)	631248		
	≥ 27/09/2006 (E270F.....)	630440		
9	Gas pipe			
10	Power control board			
	Electric	691136		
	Automatic	691137		