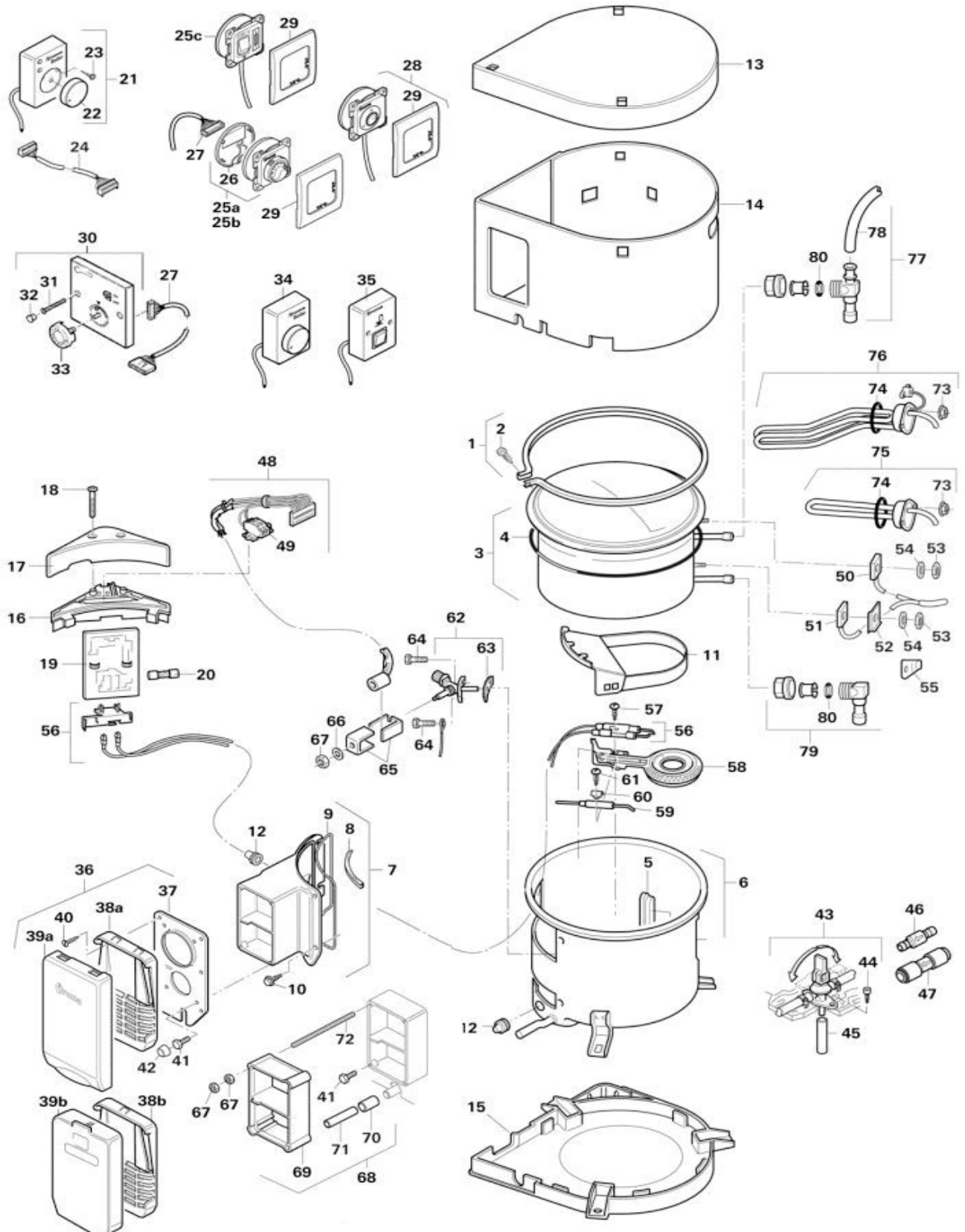




Truma Ultrastore

Powerful gas water heater which can be independent of a mains electricity supply and can produce a large quantity of hot water. The Truma Ultrastore, has a capacity of 10 or 14 litres.



COMPLETE APPLIANCE

1	CLAMP RING WITH SCREW	70000-41200
2	SCREW B 5.5 X 25	10010-66100
3	WATER CONTAINER 14 LITRE COMPLETE WITH FLANGE & SEALING RING	70010-61100
3	WATER CONTAINER 10 LITRE COMPLETE WITH FLANGE & SEALING RING	70010-61000
4	SEALING RING	70000-14100
5	FORM RING	70000-13300
6	OUTER POT	70000-36200
7	ORIEL WITH GASKETS	70000-36300
8	PROFILED GASKET 140mm LONG	70000-29100
9	SILICON SQUARE SEALING	70000-37200
10	SCREW B 4.8 X 9.5 WITH TENCON	10010-65100
11	WIND GUIDE	70000-36100
12	LEADTHROUGH	70000-37300
13	CASE LID	70020-09900
14	CASING 10 LITRE	70020-09700
14	CASING 14 LITRE	70020-09800
15	CASE FLOOR	70020-09600
16	ELECTRONIC HOUSING COVER	70020-09400
17	ELECTRONIC HOUSING LID	70020-09300
18	SCREW B 2.9 X 32	10010-79100
19	ELECTRONIC UNTIL 06/2006	70020-71600
19	ELECTRONIC FROM 06/2006 EN298/2003 LEAD FREE	70020-72000
20	FUSE 1.6 AT FROM FABR No.11138091	70000-07100
20	FUSE 1.25 AT FROM FABR No.11138090	70000-28900
21	CONTROL PANEL UNTIL 04/02 WITH 2.5m CABLE	70000-57900
22	CONTROL KNOB COMPLETE	40000-00100
23	SCREW B 2.9 X 25	10010-78900
24	CONTROL EXT 5m	70000-53500
25a	CONTROL PANEL BOILER FROM 05/02 (WITHOUT CABLE)	70000-09600
25b	CONTROL PANEL ULTRASTORE FROM 05/02 (WITHOUT CABLE)	70000-06700
25c	CONTROL PANEL 230V ULTRASTORE FROM 07/06 UK ONLY	70020-04900
26	HOUSING COVER FOR CONTROL PANEL FROM 05/02	34000-60500
27	CONTROL PANEL CABLE 3m	70000-96200
28	CONTROL PANEL BOILER EL FROM 05/02 WITH 3m CABLE	70000-00100
28	CONTROL PANEL ULTRASTORE -05/03 ORDER ONLY FROM TRUMA UK	00000-00500
29	COVER FRAME AGATE GREY FOR CONT PANEL FROM 05/02	34000-60600
30	CONTROL PANEL ULTRASTORE ORDER ONLY FROM TRUMA UK	00000-00600
31	SCREW M 3.5 X 25	10010-11200
32	SCREW COVER	30030-96900
33	CONTROL KNOB	70000-99400
34	CONTROL PANEL NOT AVAILABLE	00000-00001
35	CONTROL PANEL 230V 2.5m	70000-01600
36	WALL COWL COMPLETE WHITE	70020-44500
36	WALL COWL COMPLETE BLACK	70020-44800
36	WALL COWL COMPLETE IVORY	70020-44700
36	WALL COWL COMPLETE BIANCO	70020-44600
37	COWL FLOOR PLATE	70000-43900
38a	GRILL FOR WALL B3 WHITE FROM 07/06	70020-07000
38a	GRILL FOR WALL B3 BIANCO FROM 07/06	70020-07100
38a	GRILL FOR WALL B3 IVORY FROM 07/06	70020-07200
38a	GRILL FOR WALL COWL B3 BLACK FROM 07/06	70020-07300
38b	GRILL FOR WALL COWL BIANCO UNTIL 06/06	70000-25300
38b	GRILL FOR WALL COWL CREAM UNTIL 06/06	70000-43200
38b	GRILL FOR WALL COWL BLACK UNTIL 06/06	70020-54700
39a	COWL COVER KBS 3 WHITE FROM 07/06	70122-01
39a	COWL COVER KBS 3 BIANCO FROM 07/06	70122-02
39a	COWL COVER KBS 3 IVORY FROM 07/06	70122-03
39a	COWL COVER KBS 3 BLACK FROM 07/06	70122-04
39b	COWL COVER KBS 2 BLACK UNTIL 06/06	70121-05
39b	COWL COVER KBS 2 BIANCO UNTIL 06/06	70121-04
39b	COWL COVER KBS 2 UNTIL 06/02	70121-01

40	SCREW B 3.5 X 25	10010-72900
41	SCREW AM 4 X 12	10010-50600
42	PROTECTION CAP GREY UNTIL 09/99	70000-12800
43	SAFETY DRAIN VALVE 2.8bar YELLOW 10mm CONNECTOR	70141-02
43	SAFETY DRAIN VALVE 2bar RED 10mm CONNECTOR	70141-01
43	SAFETY DRAIN VALVE 2.8bar 12mm PIPE FOR RIGID PIPING	70142-05
44	SCREW B 5.5 X 25	10010-66200
45	DRAIN TUBE 110mm LONG PVC NON-RIGID	70000-20200
46	NON RETURN VALVE WITH CONNECTOR FOR 10mm WITH BREATHER	70000-03300
47	NON RETURN VALVE 12mm FOR RIGID PIPING	70020-03500
48	CABLE HARNESS	70000-56300
49	CONNECTION CLAMP BLUE/ORANGE	70000-26400
50	THERMOSTAT OVERTEMP	34000-34200
51	TEMPETATURE SENSING DEVICE	34000-34300
52	HEAT CONDUCTING PLATE NOT FOR 230V ELECTRICAL ELEMEN	70000-07000
53	NUT M3	10020-17100
54	SPRING WASHER A3	10020-11300
55	SWITCH CLAMP ONLY FOR BOILER UNTIL 02/95	70000-52900
56	ELECTRIC FLOOR PLATE COMPLETE WITH SPARK ELECTRODE	70020-10200
57	SCREW B2.9 X 16 TORX	10010-63100
58	BURNER	70000-54200
59	FLAME RECTIFICATION ELECTRODE	70000-56200
60	CLAMP	70000-34500
61	SCREW B2.9 X 6.5 TORX	10010-70000
62	SOLENOID VALVE 30mbar COMPLETE WITH GASKET	70000-38200
62	SOLENOID VALVE 50mbar COMPLETE WITH GASKET	70000-36500
63	GASKET FOR VALVE BODY	70000-35800
64	SCREW B4.2 X 19	10010-65300
65	SET COIL HOLDERS	70000-54600
66	SPRING WASHER A4	10020-11000
67	NUT M4	10020-17500
68	COWL EXTENSION VBO2 COMPLETE	70131-00
69	EXTENSION	70000-34200
70	CONNECTION TUBE	70000-17900
71	DISTANCE TUBE	70000-18000
72	THREADED BOLT M4	70000-49500
73	NUT M4 WITH WASHER	10020-17600
74	O-RING 32 X 2.8 SILICON FOR HEATING ELEMENT 230V	10030-15700
75	HEATING ELEMENT 230V 450W UNTIL 06/03 FABNo. 14161060	70000-02500
76	HEATING ELEMENT 230V 850W FROM 07/03 FABNo. 14161061	70010-03000
77	ELBOW FITTING 2 FLEX 10mm WITH BREATHER TUBE	34150-01
77	ELBOW FITTING 2 FLEX 12mm (RIGID PIPING) WITH BREATHER TUBE	34151-03
78	CONDENSATIONTUBE 8 X 1.5 (900mm LONG)	34000-17700
79	ELBOW FITTING 12mm FOR RIGID PIPING	70151-03
79	ELBOW FITTING WITH CONNECTOR FOR FLEX WATER TUBE 10	70150-01
80	O-RING 10 X 25	10030-21600