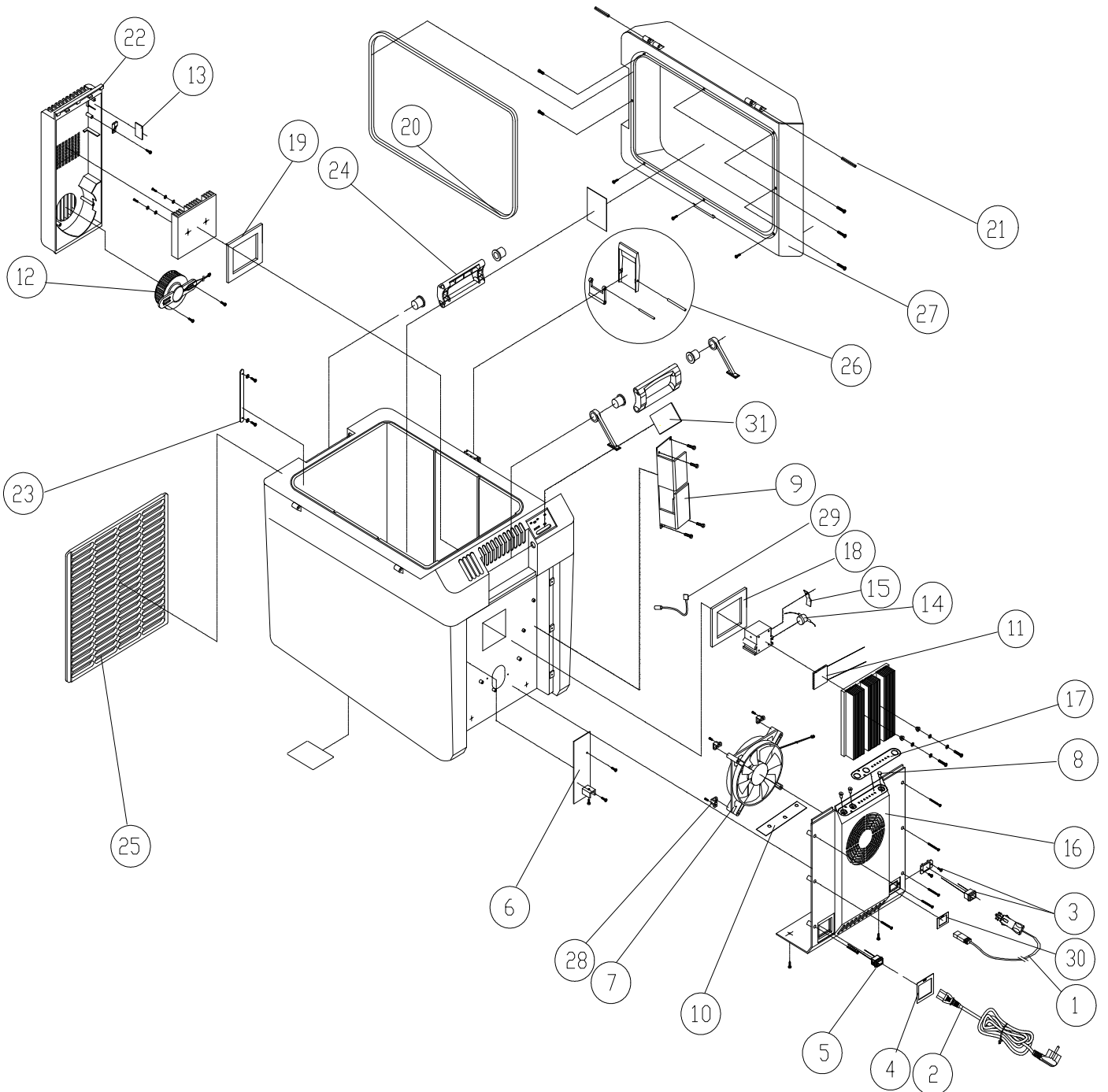


**Teilleiste/ Partlist
für / for
TC-32FL-12/24,12/230,12/24/230.**



Teileliste/ Partlist
für / for
TC-32FL-12/24,12/230,12/24/230.



Pos. Nr.	Marking in english	Bezeichnung deutsch	TC - 32FL - 12/24	TC - 32FL - 12/230	TC - 32FL - 12/24/230
1	DC power cord	Anschlußkabel 12/24 V	TK- 280 SB	TK-280 SB	TK-280 SB
2	AC power cord	Anschlußkabel 230 V	-	38-VD-2000B2	38-VD-2000B2
3	DC power socket	Anschlußbuchse 12/24V	33-01-1012B1	33-01-1012B1A	33-01-1012B1A
4	Label	Etikett	53-031-LGW01A	53-053-INW01A	53-053-INW01A
5	AC power socket	Anschlußbuchse 230 V	-	33-01-SC122	33-01-SC122
6	Main control PCB	Hauptsteuerplatine	SP-053MAINPCBASA	SP-053MAINPCBASA	SP-053MAINPCBASA
7	Brush less fan	Lüfter	11-03-1225L12S	11-03-1225L12S	11-03-1225L12S
8	Button	Knopf	40-053-02AB8F	40-053-02AB8F	40-053-02AB8F
9	AC/DC PCB	Umschaltplatine 12/230V	-	02-00-030121	02-00-030121
10	Operation PCB	Bedienungsplatine	SP-053DISPCBASA	SP-053DISPCBASA	SP-053DISPCBASA
11	Peltierelement	Peltierelement	03-40-12705B	03-40-12705B	03-40-12705B
12	Brush less fan	Lüfter	11-10-995FAN	11-10-995FAN	11-10-995FAN
13	Foto sensor PCB	Fotozellenplatine	SP-053PHOPCBASA	SP-053PHOPCBASA	SP-053PHOPCBASA
14	Klixon	Klixon	13-00-CS785C	13-00-CS785C	13-00-CS785C
15	Holder	Halter	46-C1-02TN1	46-C1-02TN1	46-C1-02TN1
16	Cover	Abdeckung	40-053-01PP8G	40-053-01PP8G	40-053-01PP8G
17	Membrane switch	Folientastatur	53-031-CTW01A	53-031-CTW01A	53-031-CTW01A
18	Gasket	Dichtung	42-02-10409505	42-02-10409505	42-02-10409505
19	Gasket	Dichtung	42-02-10008705	42-02-10008705	42-02-10008705
20	Lid gasket	Deckeldichtung	42-01-07007055	42-01-07007055	42-01-07007055
21	Spring pin f. cover	Deckelhaltebolzen	46-C2-03SB	46-C2-03SB	46-C2-03SB
22	Cover for fan	Abdeckung f. Innenlüfter	40-96-02PP8F	40-96-02PP8F	40-96-02PP8F
23	Cover holder	Deckelhalteband	40-C7-02PE90	40-C7-02PE90	40-C7-02PE90
24	Handle	Tragegriff	40-96-09PP8F	40-96-09PP8F	40-96-09PP8F
25	Dividerwall	Trenngitter	40-33-19PP8F	40-33-19PP8F	40-33-19PP8F
26	Complete latch	Deckelverriegelung	08TCUG	08TCUG	08TCUG
27	Lid	Deckel	22TC32UG	22TC32UG	22TC32UG
28	Fan clip	Lüfterhalter	40-92-07PO	40-92-07PO	40-92-07PO
29	NTC sensor	Temp.- Fühler	22-10-103F033	22-10-103F033	22-10-103F033
30	Label	Etikett	-	53-053-INW01B	-
31	Label	Etikett	53-053-NAW01A	53-053-NAW01A	53-053-NAW01A
	Glass- fuse	Glass Sicherung	-	15-25-S2A05X20	15-25-S2A05X20