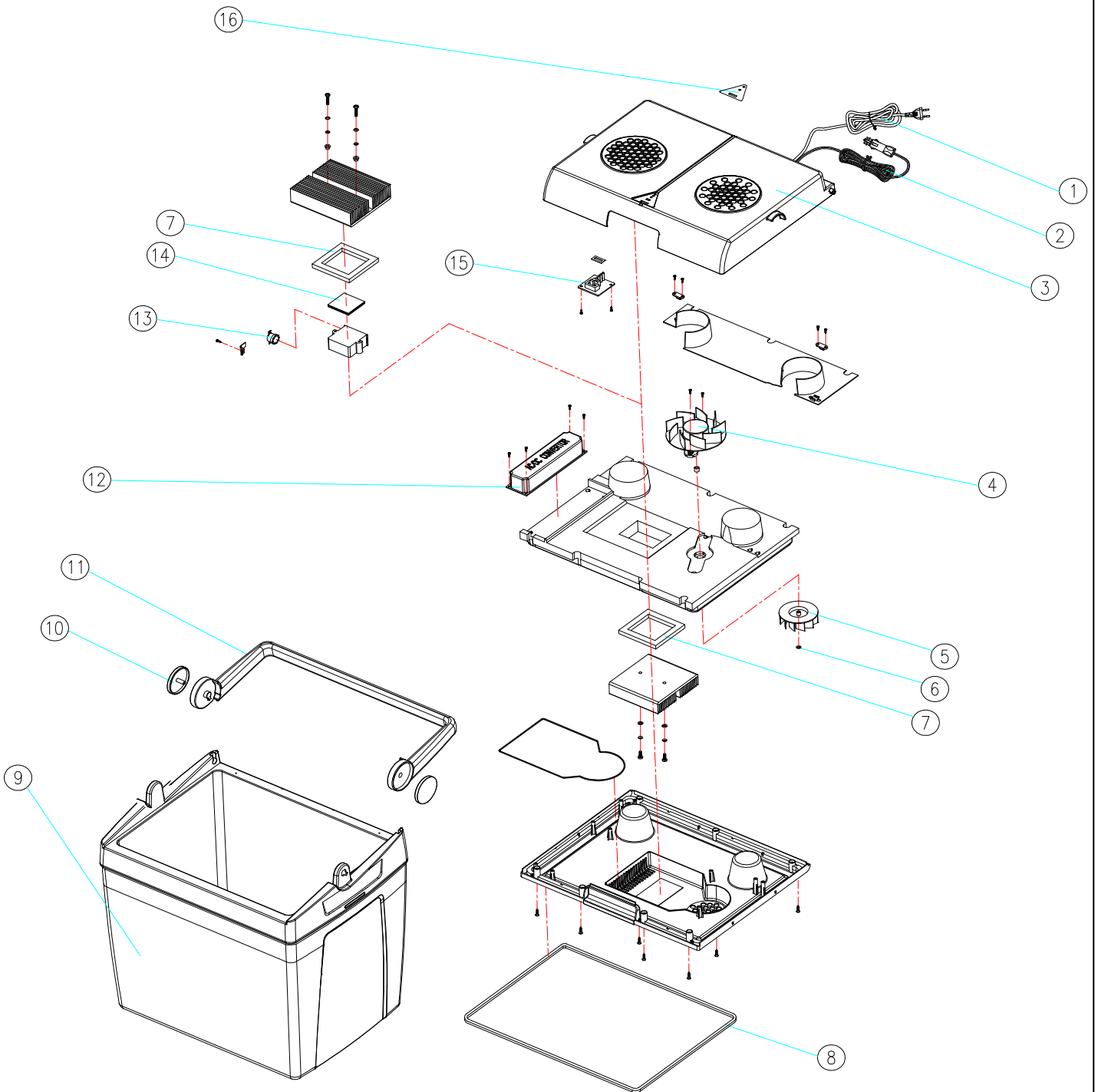


Teile/ Parts
für / for

T26 12000 D 024/T26 12230 D 024
T32 12000 D 024/T32 12230 D 024



Teile/ Parts
für / for

WAECO
mobile solutions

T26 12000 D 024/T26 12230 D 024
T32 12000 D 024/T32 12230 D 024

Pos. Nr.	Marking in English	Bezeichnung in deutsch	Art.-Nr. / Part.-No. T26 12000 D	Art.-Nr. / Part.-No. T26 12230 D	Art.-Nr. / Part.-No. T26 12230 D H/C*	Stück/ Piece
1	Power Cord AC	Anschlußkabel AC	—————	38-VD-1700B2	38-VD-1700B2	1
2	Power Cord DC	Anschlußkabel DC	80-T1-2800AD	80-T1-2800AD	80-T1-2800AD	1
3	Cover	Abdeckung	40-106-05PP6D5	40-106-05PP6D5	40-106-05PP6D5	1
4	Brush Less Fan	Lüfter	11-10-106FAN	11-10-106FAN	11-10-106FAN	1
5	Fan wing	Lüfterflügel	40-C4-14PP90	40-C4-14PP90	40-C4-14PP90	1
6	Protection circle	Sicherungsring	40-A2-0620501	40-A2-0620501	40-A2-0620501	1
7	Gasket	Dichtung	42-02-09107104	42-02-09107104	42-02-09107104	2
8	Lid Gasket	Deckeldichtung	42-01-103SPC	42-01-103SPC	42-01-103SPC	1
9	Isolation box	Isolierbox	KBK-T26-3922	KBK-T26-3922	KBK-T26-3922	1
10	Handle cover	Griffabdeckung	40-106-09PP8D1	40-106-09PP8D1	40-106-09PP8D1	2
11	Carrying handle	Tragegriff	40-106-04PP8D1	40-106-04PP8D1	40-106-04PP8D1	1
12	AC/DC converter	AC/DC Wandler	—————	02-00-106121	02-00-106121	1
13	Temp.- switch heat	Temperaturschalter warm	—————	—————	13-00-CS785CTB	1
14	Peltierelement	Peltierelement	03-40-12705B	03-40-12705B	03-40-12705B	1
15	Control PCB	Kontrollplatine	01-00-994121B	01-00-994121B	SP-106CONPCBASA	1
16	Label	Aufkleber	53-106-LGW01A	53-106-LGW01A	53-106-CTW01A	1

Pos. Nr.	Marking in English	Bezeichnung in deutsch	Art.-Nr. / Part.-No. T32 12000 D	Art.-Nr. / Part.-No. T32 12230 D	Art.-Nr. / Part.-No. T32 12230 D H/C*	Stück/ Piece
1	Power Cord AC	Anschlußkabel AC	—————	38-VD-1700B2	38-VD-1700B2	1
2	Power Cord DC	Anschlußkabel DC	80-T1-2800AD	80-T1-2800AD	80-T1-2800AD	1
3	Cover	Abdeckung	40-106-05PP6D5	40-106-05PP6D5	40-106-05PP6D5	1
4	Brush Less Fan	Lüfter	11-10-106FAN	11-10-106FAN	11-10-106FAN	1
5	Fan wing	Lüfterflügel	40-C4-14PP90	40-C4-14PP90	40-C4-14PP90	1
6	Protection circle	Sicherungsring	40-A2-0620501	40-A2-0620501	40-A2-0620501	1
7	Gasket	Dichtung	42-02-09107104	42-02-09107104	42-02-09107104	2
8	Lid Gasket	Deckeldichtung	42-01-103SPC	42-01-103SPC	42-01-103SPC	1
9	Isolation box	Isolierbox	KBK-T32-3922	KBK-T32-3922	KBK-T32-3922	1
10	Handle cover	Griffabdeckung	40-106-09PP8D1	40-106-09PP8D1	40-106-09PP8D1	2
11	Carrying handle	Tragegriff	40-106-04PP8D1	40-106-04PP8D1	40-106-04PP8D1	1
12	AC/DC converter	AC/DC Wandler	—————	02-00-106121	02-00-106121	1
13	Temp.- switch heat	Temperaturschalter warm	—————	—————	13-00-CS785CTB	1
14	Peltierelement	Peltierelement	03-40-12705B	03-40-12705B	03-40-12705B	1
15	Control PCB	Kontrollplatine	01-00-994121B	01-00-994121B	SP-106CONPCBASA	1
16	Label	Aufkleber	53-106-LGW01A	53-106-LGW01A	53-106-CTW01A	1

*Hot/ Cold Version