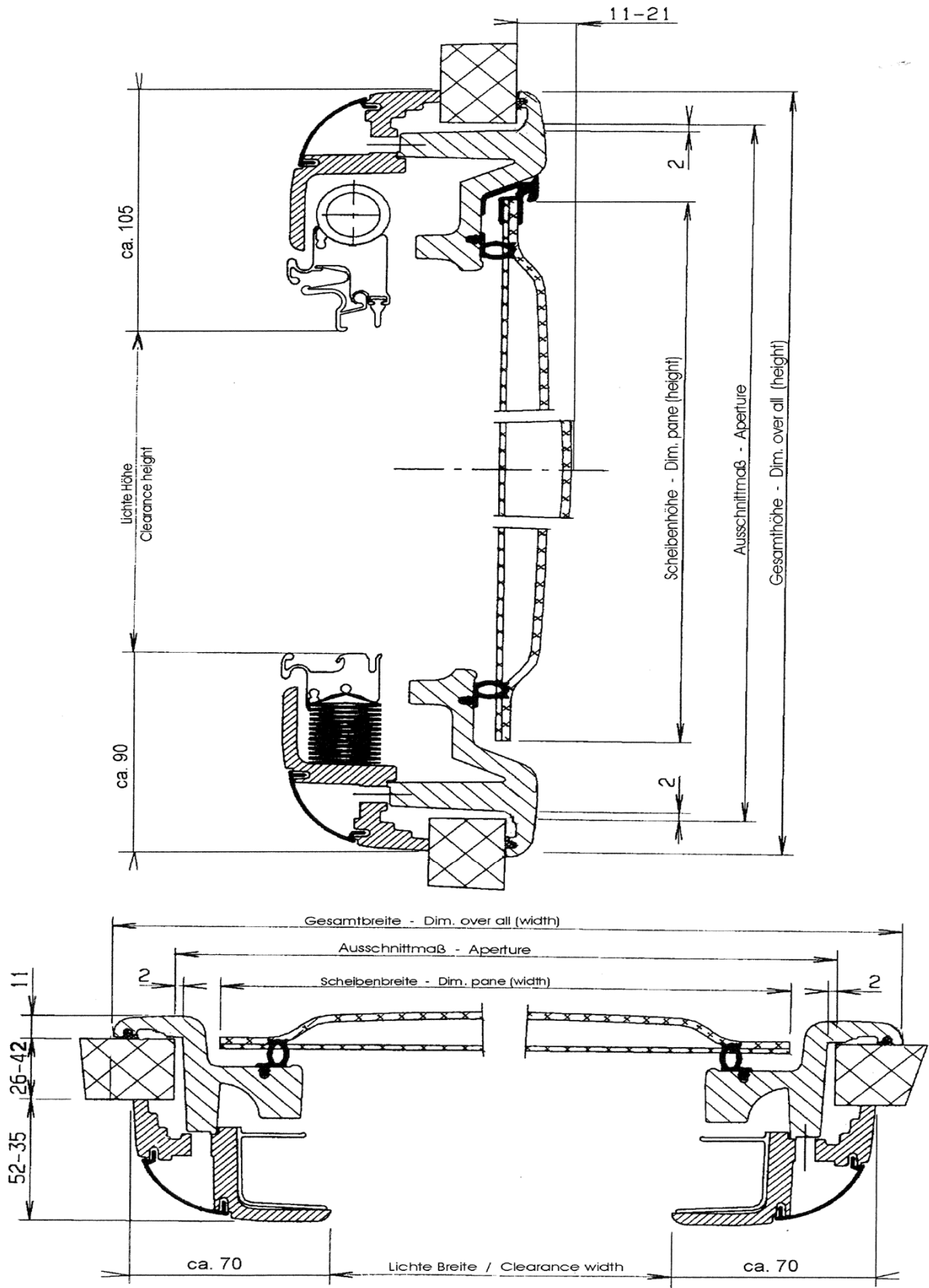


SEITZ S5 WINDOW

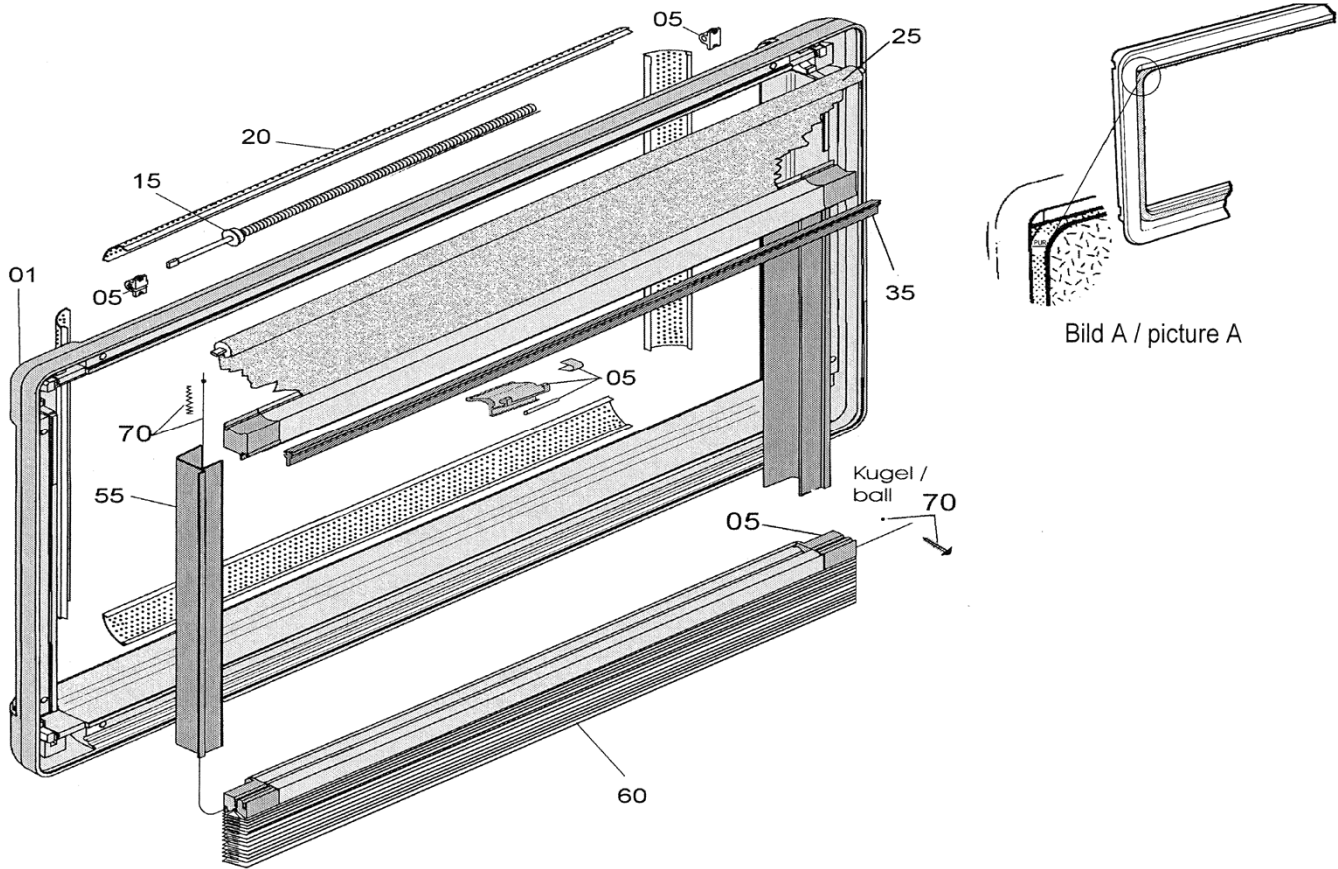
TECHNICAL DRAWING

FULL S5 WINDOWS ARE ONLY AVAILABLE THROUGH CARAVAN MANUFACTURERS.



INTERIOR FRAME

FULL S5 WINDOWS ARE ONLY AVAILABLE THROUGH CARAVAN MANUFACTURERS.

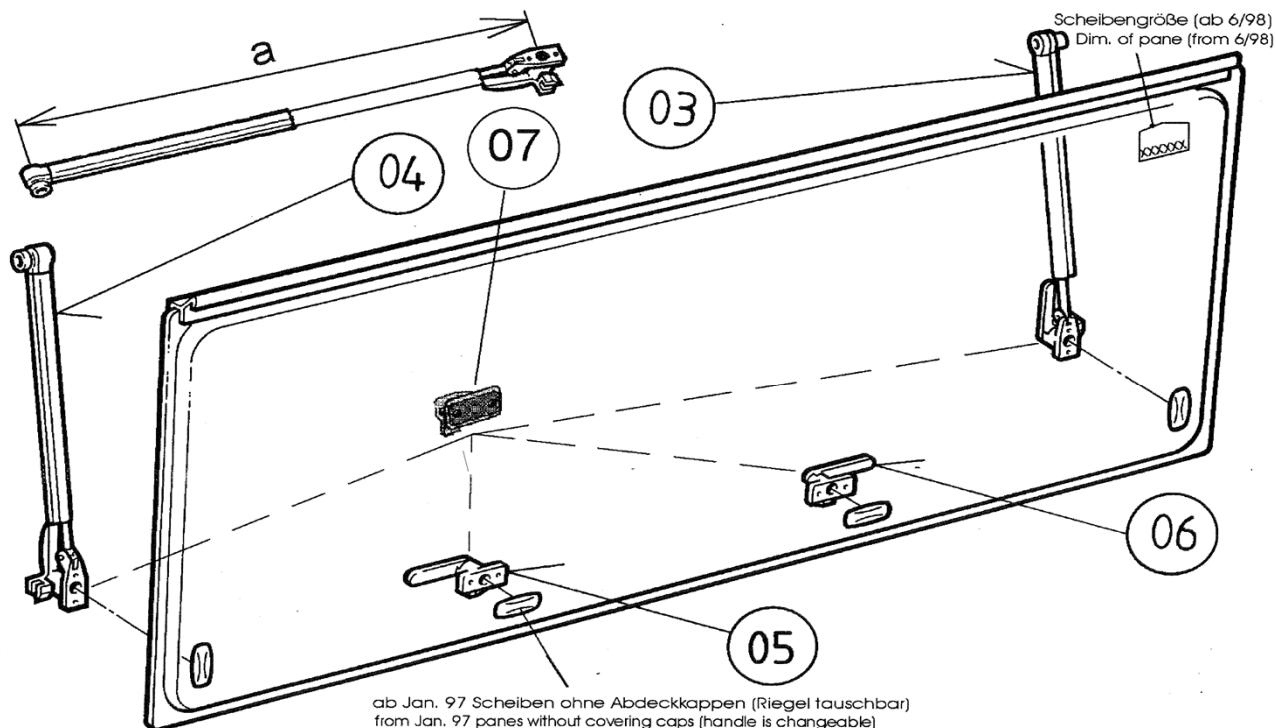


**ALL SEITZ WINDOWS CARRY A SMALL IDENTIFICATION TAG ON THE GLAZING PANEL
THIS SHOULD CONTAIN THE MEASUREMENTS OF THE WINDOW AND THE STYLE
FOR EXAMPLE AGS51000X0600 AN S5 WINDOW MEASURING 1000mm BY 600mm
YOU WILL NEED THIS TO COMPLETE PART NUMBERS CONTAINING (****X****)
PLEASE BE AWARE THAT INTERIOR FRAMES ARE MADE TO ORDER AND NON RETURNABLE**

| | DESCRIPTION | PART No. | UNIT |
|----|---|--------------------|-------|
| 01 | INTERIOR FRAME | IRE05(****X****) | 1 |
| 01 | INTERIOR FRAME COMPLETE *SINGLE PLEAT BLIND* | IRE05L9(****X****) | 1 |
| 01 | INTERIOR FRAME COMPLETE *DUETTE* | IRE05L7(****X****) | 1 |
| 05 | REPAIR SET(BRACKET,PLATE,CAP,SPRING,LOCK,PIN) | BG1091 | 1 |
| 15 | SPRING MOTOR | FM80/82 | 1 |
| 20 | VENTILATION PROFILE | BG1047.1000 | 1 SET |
| 25 | FLYSCREEN COMPLETE | BG1043(****X****) | 1 |
| 35 | GUIDE PROFILE | PP1006(****X****) | 1 |
| 55 | GUIDE TRACKS | BG1145 | 1 SET |
| 60 | BLIND COMPLETE*SINGLE PLEAT* | BG1046(****X****) | 1 |

GLAZING PANELS

FULL S5 WINDOWS ARE ONLY AVAILABLE THROUGH CARAVAN MANUFACTURERS.



ALL SEITZ WINDOWS CARRY A SMALL IDENTIFICATION TAG ON THE GLAZING PANEL THIS SHOULD CONTAIN THE MEASUREMENTS OF THE WINDOW AND THE STYLE FOR EXAMPLE AGS51000X0600 AN S5 WINDOW MEASURING 1000mm BY 600mm YOU WILL NEED THIS TO COMPLETE PART NUMBERS CONTAINING ((x code) X (y code))

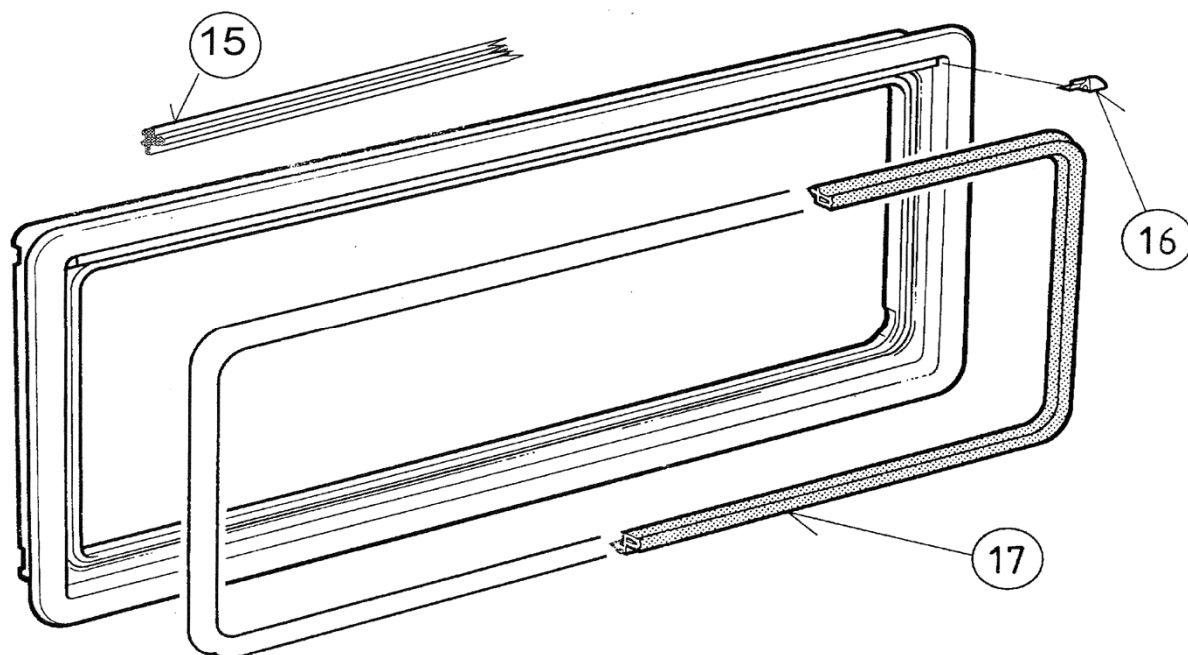
PLEASE BE AWARE THAT GLAZING PANELS ARE MADE TO ORDER AND NON RETURNABLE

| | DESCRIPTION | PART No. | UNIT |
|-------|-------------------------|--------------------------|--------|
| # | GLAZING PANEL GREY TINT | AGS5(****X****) | 1 |
| # | GLAZING PANEL OPAQUE | AGO5(****X****) | 1 |
| 03/04 | STAYS WITH HANDLE BROWN | VAM(y code of window) | 1 PAIR |
| | STAYS WITH HANDLE GREY | BG1077(y code of window) | 1 PAIR |
| 05 | HANDLE BROWN RIGHT | BG1036 | 1 |
| 05 | HANDLE BROWN LEFT | BG1037 | 1 |
| 05 | HANDLE GREY RIGHT | BG1078R | 1 |
| 05 | HANDLE GREY LEFT | BG1078L | 1 |

a = THE SECOND MEASUREMENT OF THE WINDOW

EXTERIOR FRAME

FULL S5 WINDOWS ARE ONLY AVAILABLE THROUGH CARAVAN MANUFACTURERS



ALL SEITZ WINDOWS CARRY A SMALL IDENTIFICATION TAG ON THE GLAZING PANEL THIS SHOULD CONTAIN THE MEASUREMENTS OF THE WINDOW AND THE STYLE FOR EXAMPLE AGS51000X0600 AN S5 WINDOW MEASURING 1000mm BY 600mm YOU WILL NEED THIS TO COMPLETE PART NUMBERS CONTAINING (**X****) PLEASE BE AWARE THAT OUTER FRAMES ARE MADE TO ORDER AND NON RETURNABLE**

| | DESCRIPTION | PART No. | UNIT |
|----|----------------------------------|--------------------|---------|
| | OUTER FRAME ONLY TOP HUNG | ARE0501(****X****) | 1 |
| 15 | SEAL BETWEEN WALL/FRAME | BG1079 | 5Meters |
| 16 | END CAPS | BG70Z | 1 PAIR |
| 17 | SEAL BETWEEN FRAME/GLAZING PANEL | 54OE06 | 5Meters |

SLIDING WINDOWS S5

GLAZING PANELS AND SPARES FOR EXTERIOR FRAMES ON SLIDING WINDOWS ARE ONLY AVAILABLE AS A COMPLETE OUTER FRAME

SPARES FOR THE INNER FRAMES AND OTHER PARTS ARE THE SAME AS TOP HUNG

| DESCRIPTION | PART No. | UNIT |
|------------------------|--------------------|------|
| EXTERIOR FRAME SLIDING | ARE0502(****X****) | 1 |