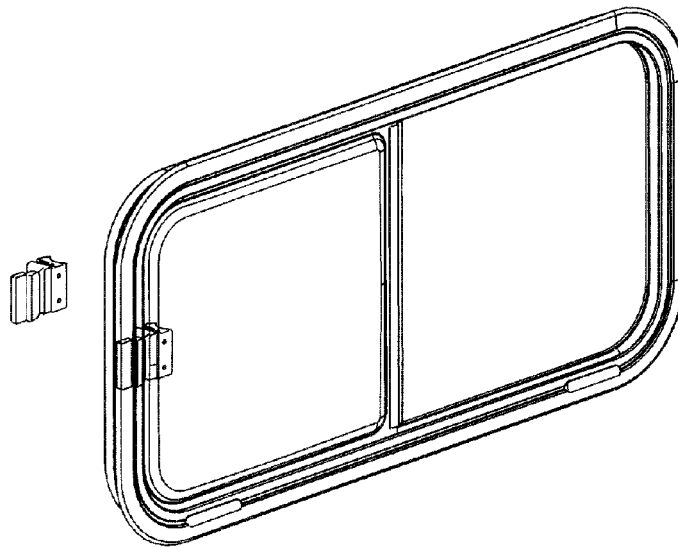


S7 - Sliding Window



PROBLEM :

Replacement of the sliding window
Replacement of the close-off complete

Replacement of the sash window complete

For the replacement of the sliding window it is required to loosen the window blind system (if present) or the covering section profile on the inner side. Then the surrounding assembly clips are to be removed.

Caution!: Before the screwed connections of the exterior frame are loosened, it must be ensured that the window is secured from outside against falling out.

Before the insertion of the new exterior frame, the sealing surface of the wall section is to be cleaned. With the installation, a suitable caulking material must be employed. Permanently-plastic sealant mass (bead \varnothing 6-8mm) is applied all round in the corner of the frame to seal the exterior frame. From inside, the exterior and interior frames are screwed together with each other, where it is to be ensured that the screws are not tightened too much (max. tightening torque 3 Nm).

Replacement of the close-off complete



Loosening small cross-slotted screw on the fixing slider. The remove gripper of the bar pin sideways.



Pull out the entire bar pin from the close-off on the opposite side.



Pull out the lateral flush hinge-pin with the aid of pointed pliers. Take out close-off switch. Close-off housing can now be dismantled by means of a cross-point screwdriver. The installation is implemented in reverse order.