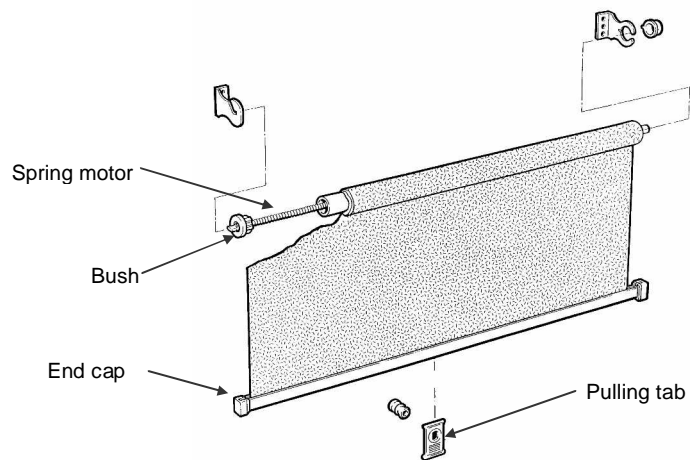


## Rollerblind



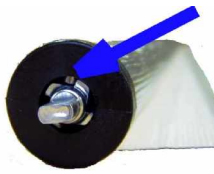
### PROBLEM DESCRIPTION :

Spring motor without tension

Defective spring motor

Exchanging pulling tab

## Spring motor without tension



Check whether the plastic bush has a straight pin. If the straight pin is not available, exchange the spring motor.

If the straight pin is available, it is possible to wind the spring motor as follows:

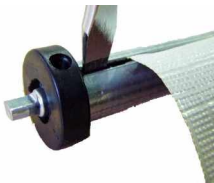
First unwind the spring motor. Turn the bore of the bush upwards so that the straight pin slides in the bush. Then turn the tube in such a way that the above-mentioned bore points downwards and the straight pin can fall down. Hold the spring motor tightly at the flattened end with flat pliers and wind according to the winding rule.

Winding rule: Tube length in mm/100 +3= revolutions of the spring shaft

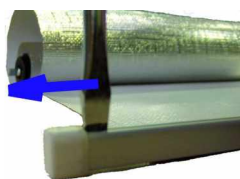
Example: Tube length =1000mm  $1000\text{mm}/100+3= 13$  i.e.13 revolutions in a clockwise direction

## Defective spring motor

Grab the blind fabric with your hand and turn (ca. ½ turn) in an anti-clockwise direction. Pull the tube ca. 10cm out of the fabric, insert a screwdriver in the grooved tube and splay out the tube by turning the screwdriver. Pull the spring motor out of the tube on a protruding corner (e.g. table's edge). Insert new spring motor in the splayed tube and tap in place. Push the tube in the fabric and wind according to the winding rule.



## Exchanging Pull Tab



To disassemble the pulling tab (below left) remove an end cap (above left) from one side of the end bar. Place a screwdriver in the groove of the end bar and push the root of the pulling tab over its catch by tapping on the screwdriver.



Assembly in reverse order.