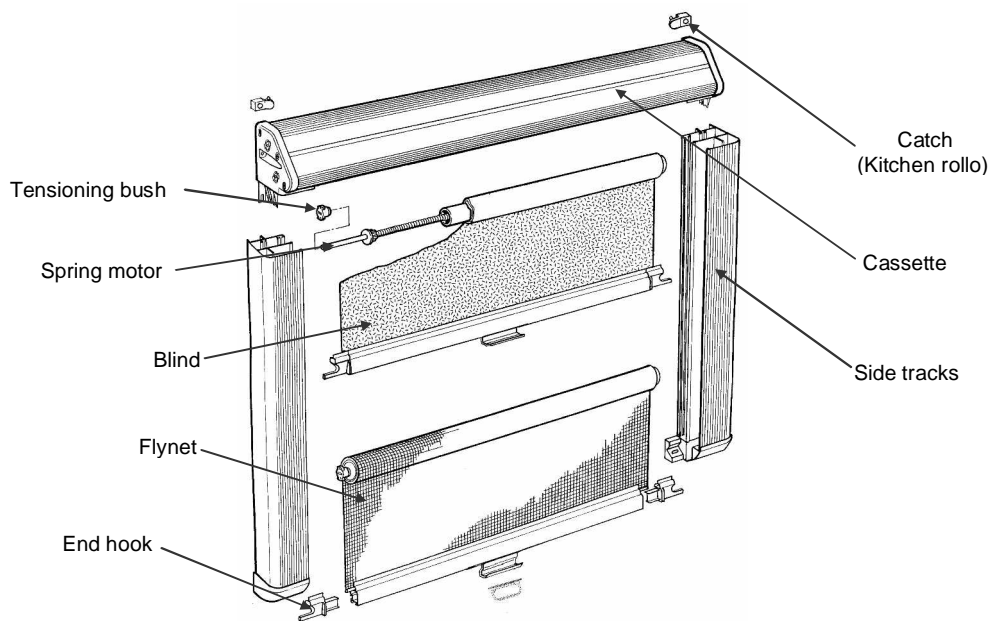


Rastrollo 2001



PROBLEM DESCRIPTION :

- Defective spring motor
- Exchanging blind or flynet
- Rollo does not retract fully to the end position
- Exchanging the end hooks

Defective spring motor



Unwind the spring motor using a screwdriver. Turn the tensioning bush clockwise until it cannot be turned further and pull outwards carefully.

Attention! Risk of injury resulting from the spring jumping out or recoiling uncontrollably.



Press the spring shaft back in the cassette with your finger or pliers and remove the rollos. Pull out the spring motor from the grooved tube and insert the new spring motor, insert blind in the cassette, place the tensioning bush and wind according to the winding rule below. Place the tensioning bush in its housing and turn in an anti-clockwise direction until it cannot be turned further.

Winding rule: Tube length in mm/100 +3= revolutions of the spring shaft

Example: Tube length =1000mm $1000\text{mm}/100+3= 13$ i.e.13 revolutions in a clockwise direction

Exchanging blind or flynet

Remove Rollo as per defective spring motor and exchange corresponding Rollo. Re-assemble in reverse order.

Rollos do not retract fully to the end position

Check Rollo tension according to the winding rule and rewind.

If rollos still do not run properly check spring motor and change if necessary.

Exchanging the end hooks



By drilling out or breaking remove remains of the end hooks from the end bar. Insert new end hooks in the aluminium profile by tapping with a plastic hammer.