

RASTROLLO 2001_ART1 1160

Ordering Details Rastrollo 2001

ART. 1160

Dimensions:

Please identify ordering size by using the technical drawing on page 3/4

Size A (ordering size width) (min. 300 mm/max. 2000 mm) x **Size B** (ordering size height) (max. 1300 mm/it depends of the width)

.....mm xmm

Colour:	Cassette	pearl-white	RAL 1013	<input type="checkbox"/>
		grey-white	RAL 9002	<input type="checkbox"/>
		traffic white*	RAL 9016	<input type="checkbox"/>
<hr/>				
	Flynet	fabric white	StFI 7	<input type="checkbox"/>
		brown*	StFI 10	<input type="checkbox"/>
<hr/>				
	Blind	alu - sand	StFo 240	<input type="checkbox"/>
		alu - grey	StFo 55	<input type="checkbox"/>
		alu - white*	StFo 45	<input type="checkbox"/>

Customer:

Part No. Customer:

Remarks:

.....

.....

Signature: Date:

* = only for manufacturers

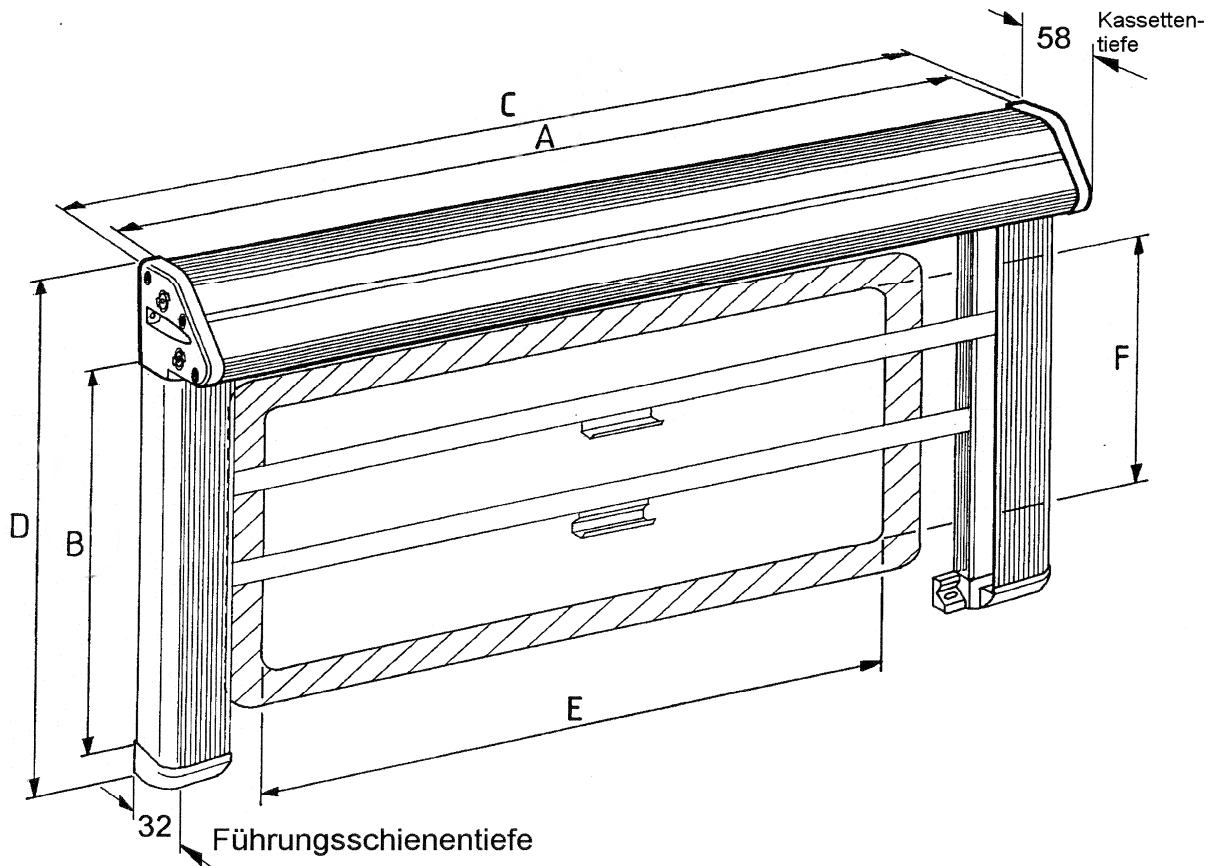
MEASUREMENT GUIDE

IMPORTANT !

TAKE NOTE OF THE MEASURING POSITIONS E & F ON THE DIAGRAM

SIZE E IS THE WIDTH OF THE WINDOW (FRAME NOT INCLUDED)
SIZE F IS THE HEIGHT OF THE WINDOW (FRAME NOT INCLUDED)

Attention: Sizes A and B have to be rounded up or down in 5 mm steps.



SIZE A	ORDERING SIZE WIDTH	SIZE E + 62mm
SIZE B	ORDERING SIZE HEIGHT	SIZE F + 55mm
SIZE C	COMPLETE WIDTH	SIZE A + 12mm
SIZE D	COMPLETE HEIGHT	SIZE B + 85mm

