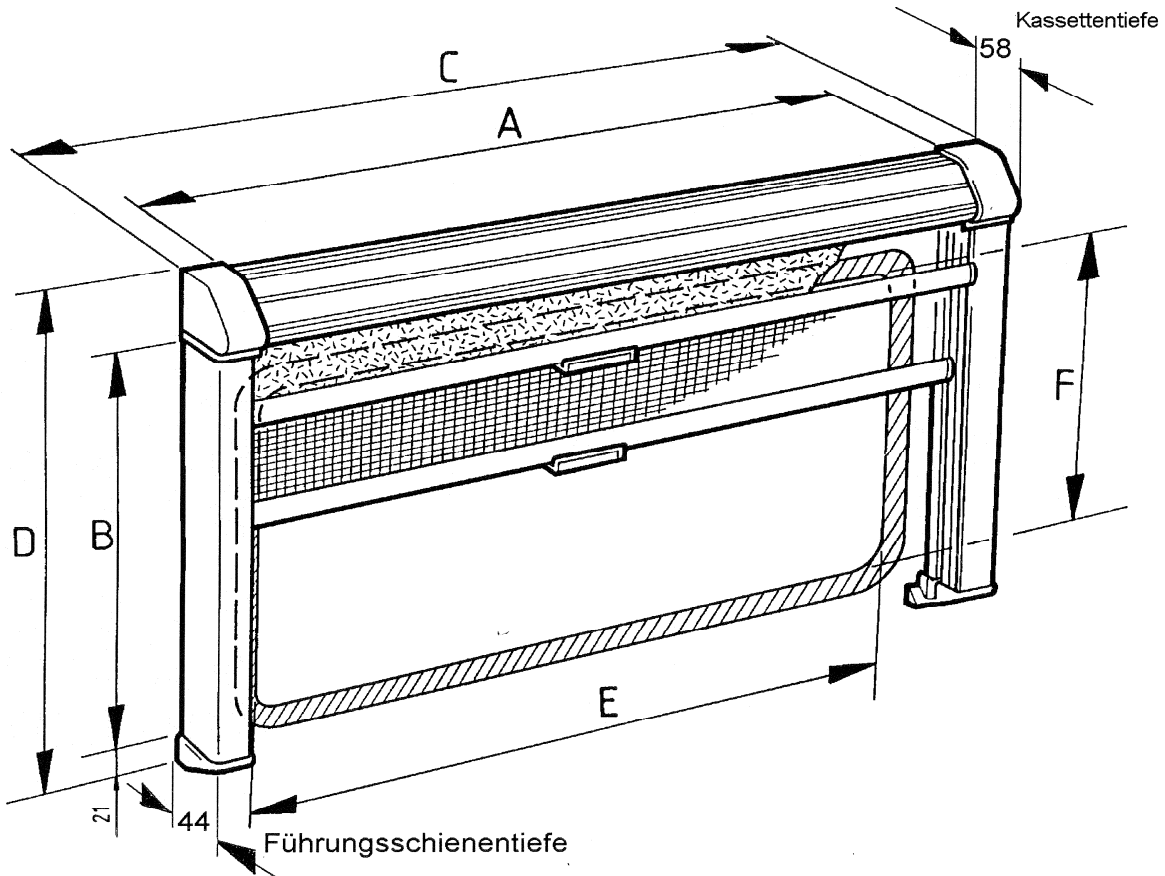


RASTROLLO 2000 TECHNICAL DRAWINGS



DIMENSIONS:

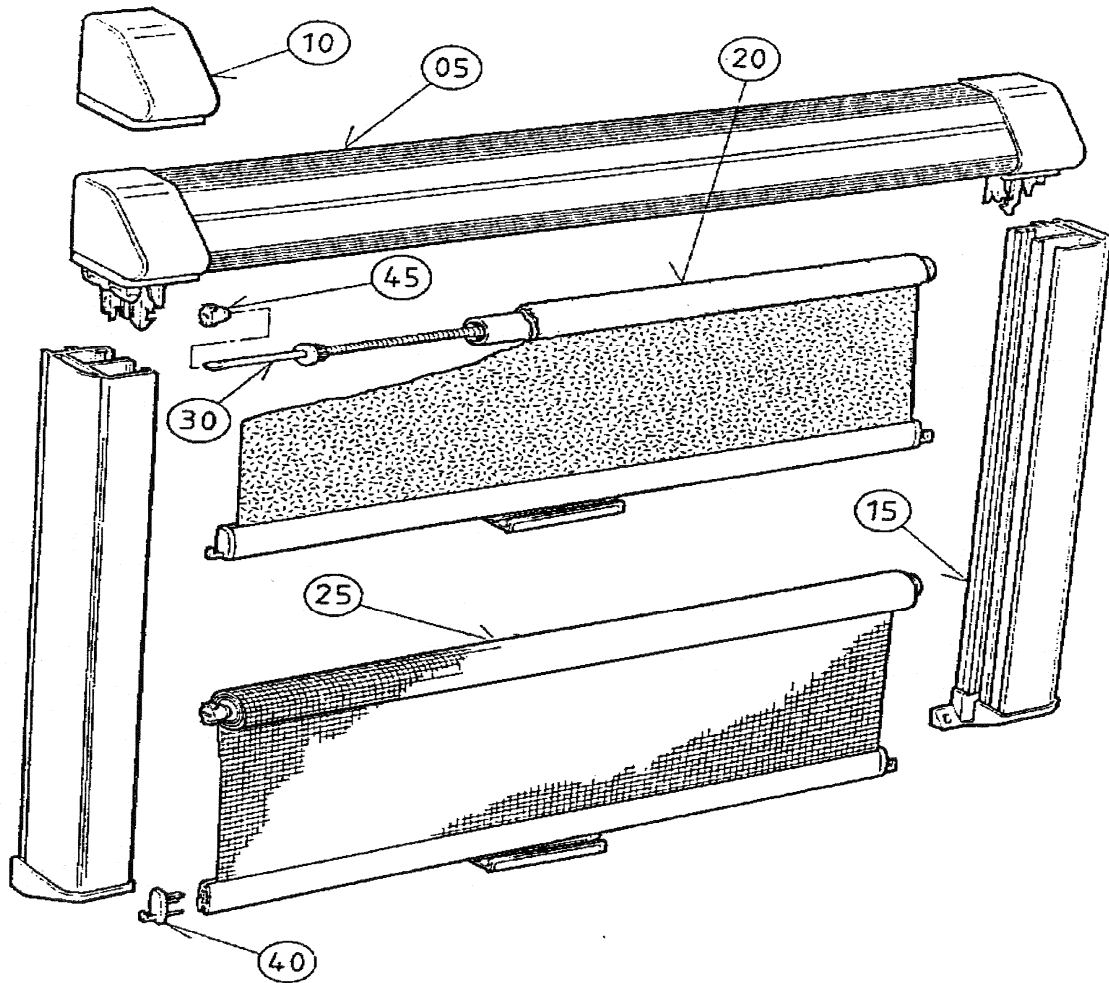
PLEASE NOTE SIZES A & B HAVE TO BE ROUNDED UP OR DOWN TO 5mm

SIZE A	ORDERING SIZE WIDTH	SIZE E+34mm
SIZE B	ORDERING SIZE HEIGHT	SIZE F+58mm
SIZE C	COMPLETE WIDTH	SIZE A+40mm
SIZE D	COMPLETE HEIGHT	SIZE B+94mm

SIZE E	WIDTH OF WINDOW(EXCLUDING FRAME)
SIZE F	HEIGHT OF WINDOW(EXCLUDING FRAME)

SPARE PARTS RASTROLLO 2000

THE ORDERING SIZES A & B ARE NEEDED TO COMPLETE SOME OF THESE PART NUMBERS
 SIZE A ORDERING SIZE WIDTH SIZE B ORDERING SIZE HEIGHT



	DESCRIPTION	PAST No.	UNIT
05	CASSETTE COMPLETE		
10	CASSETTE END COVER CAPS	BG0050	1Pair
15	SIDE TRACKS WITH END CAPS	BG0049	1Pair
20	COMPLETE BLIND	VR0060(AXB)	1
25	COMPLETE FLYSCREEN	FR0060(AXB)	1
30	SPRING MOTOR	FM...	1
40	END HOOK	SP420PR	1Pair
45	TENSION BUSH	SP413	1Pair