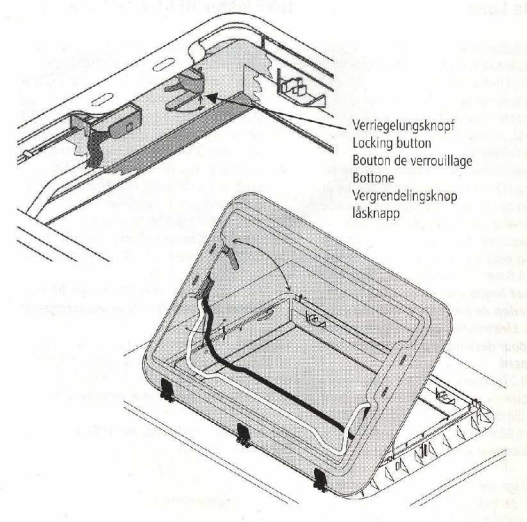


Operating, safety and care instructions HEKI 2



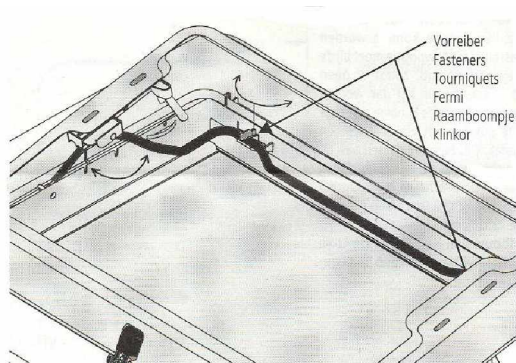
1. Opening in the tilt setting

a) Press the locking buttons at both catches on the glass and turn inwards through approx. 90°.

b) Grasp the bar in the middle, unclip from the anchoring, swivel the bar down and push the glass dome upwards. (Glass dome is assisted after approx. 150 mm by the two pneumatic springs).

c) Swivel the bar towards the glass dome and clip into position.

To close the glass dome, perform steps (a-c) in reverse order.



2. Opening in the intermediate setting

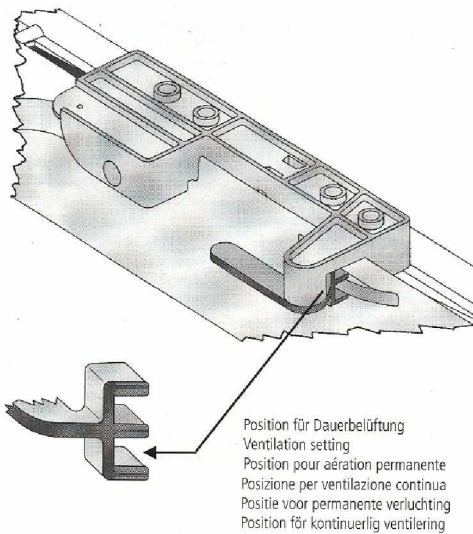
a) Open both catches on the glass (see picture).

b) Grasp the bar in the middle, unclip from the anchoring, swivel down and push the glass dome upwards. (Glass dome opens automatically after approx. 150 mm through the two pneumatic springs).

c) Open both fasteners and swivel the bar toward the intermediate setting and pull the glass dome down until the bar rests in the holder.

d) Secure the bar with the two fasteners.

To close HEKI 2, perform steps (a-d) in reverse order.

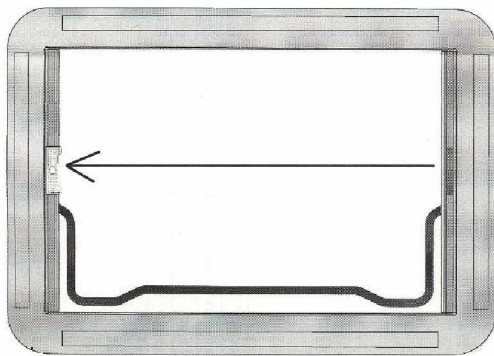


3. Opening in permanent ventilation setting

a) Open both catches on the glass.

b) Push glass dome up approx. 2 cm with both hands on the two catches and turn the catches to fix them in the ventilation setting.

To close HEKI 2, perform steps (a-b) in reverse order.

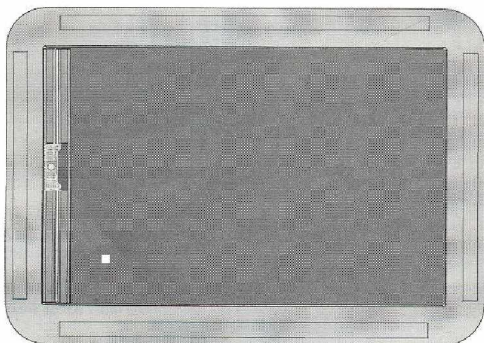


4. Closing the blind

a) To close the blinds, grasp the end rod (without grip) in the recess and engage in the opposite end rod (with grip).

Caution!! When the sun is shining brightly, the blind may only be closed 2/3 and the glass dome must be fixed in the “permanent ventilation setting”.

b) You can move both joined end rods to adjust the blinds to the required position (black out/fly screen/sun shade).



5. Opening the blinds

a) Move the blind fight out to the side (end rod with grip) (see picture).

b) Holding the recess with one hand, press the rocker with the other hand and guide the blind back into position.

Safety instructions:

- Do not stand on the acrylic glass.
- Close HEKI 2 properly before moving the vehicle.
- Close HEKI 2 when leaving the vehicle.
- Please consult your dealer when any defects or problems occur.
- Remove snow/ice or other dirt from the roof before opening HEKI 2.
- Do not open in strong winds or heavy rain.

Care instructions:

- Please clean the acrylic panes with the Seitz Acrylic Cleaner.
- Stains and light scratches on the acrylic pane can be removed using the Seitz Acrylic Polish and the Seitz special polishing cloth.
- Only use water and mild soap suds to clean the blinds.
- Failure to comply with these instructions makes the guarantee null and void.