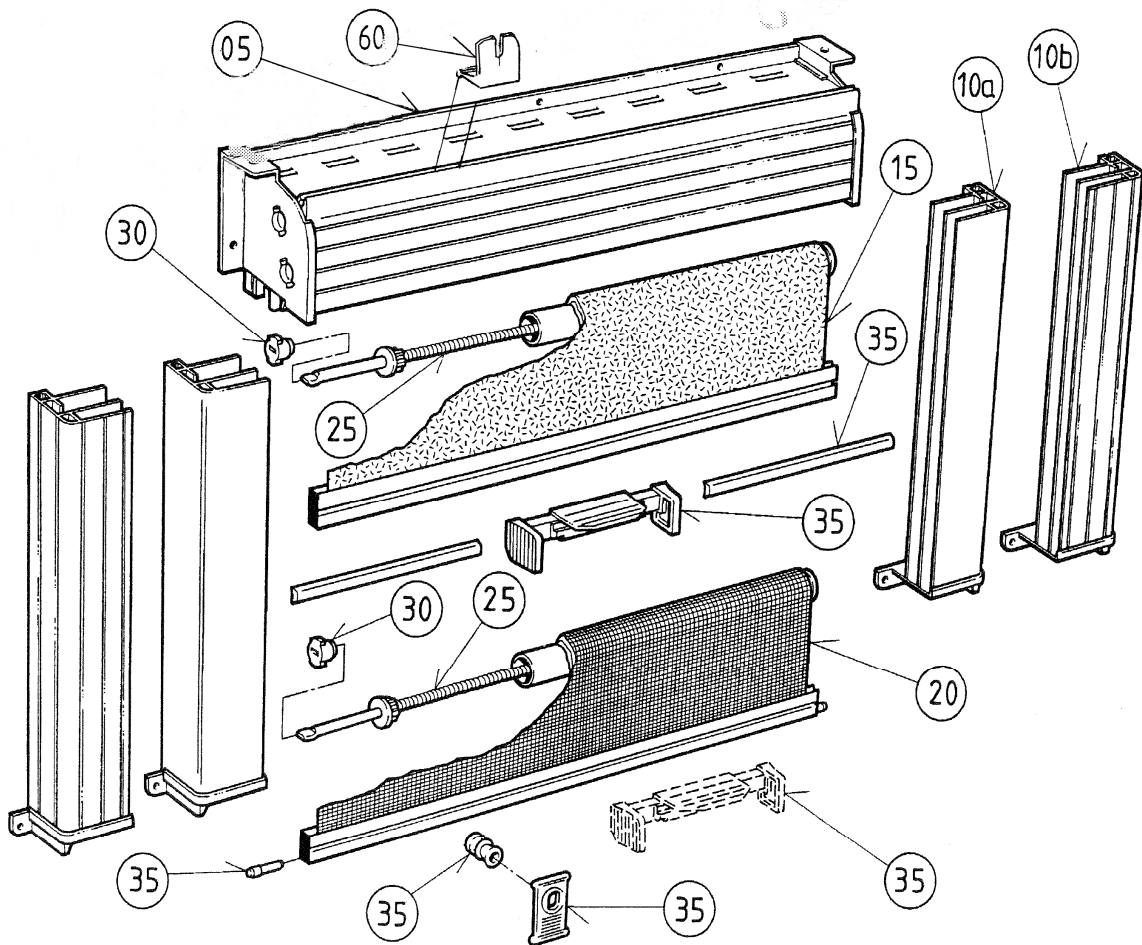


DOUBLE CASSETTE-RASTROLLO

PRODUCTION STOPPED - ONLY SPARES AVAILABLE



	DESCRIPTION	PART No.	UNIT
05	CASSETTE COMPLETE	PRODUCTION STOPPED	#
10a	SIDE TRACKS	PRODUCTION STOPPED	#
10b	SIDE TRACKS	PRODUCTION STOPPED	#
15	COMPLETE BLIND	VR0050	1
15	COMPLETE BLIND WITH BRUSH	VR0053	1
20	FLYSCREEN COMPLETE	FR0053	1
20	FLYSCREEN WITH BRUSH	FR0053	1
25	SPRING MOTOR	FM..	1
30	TENSION BUSH	SP194	1Pair
35	REPAIR KIT**	BG1099	1Set
35	FINGER PULL	SP153	1
35	FASTENING KNOB	SP12	1
60	FIXING BRACKET	SP0005Z	1

*REPAIR KIT

CENTRAL OPERATING SYSTEM, OPERATING ROD,
GUIDE PIN, FASTENING KNOB, FINGER PULL.