

DOMETIC COOKER HOOD CK155



CK155 Two-speed fan for better air flow

This cooker hood with 2-stage fan features a 12 Volt motor integrated in the roof dome (not in the appliance itself). The result: better air flow and more power – between 50 and 125 m³/h.

Filter screen washable

Motor 30 Watt, 12 Volt, capacity 125 m³/h

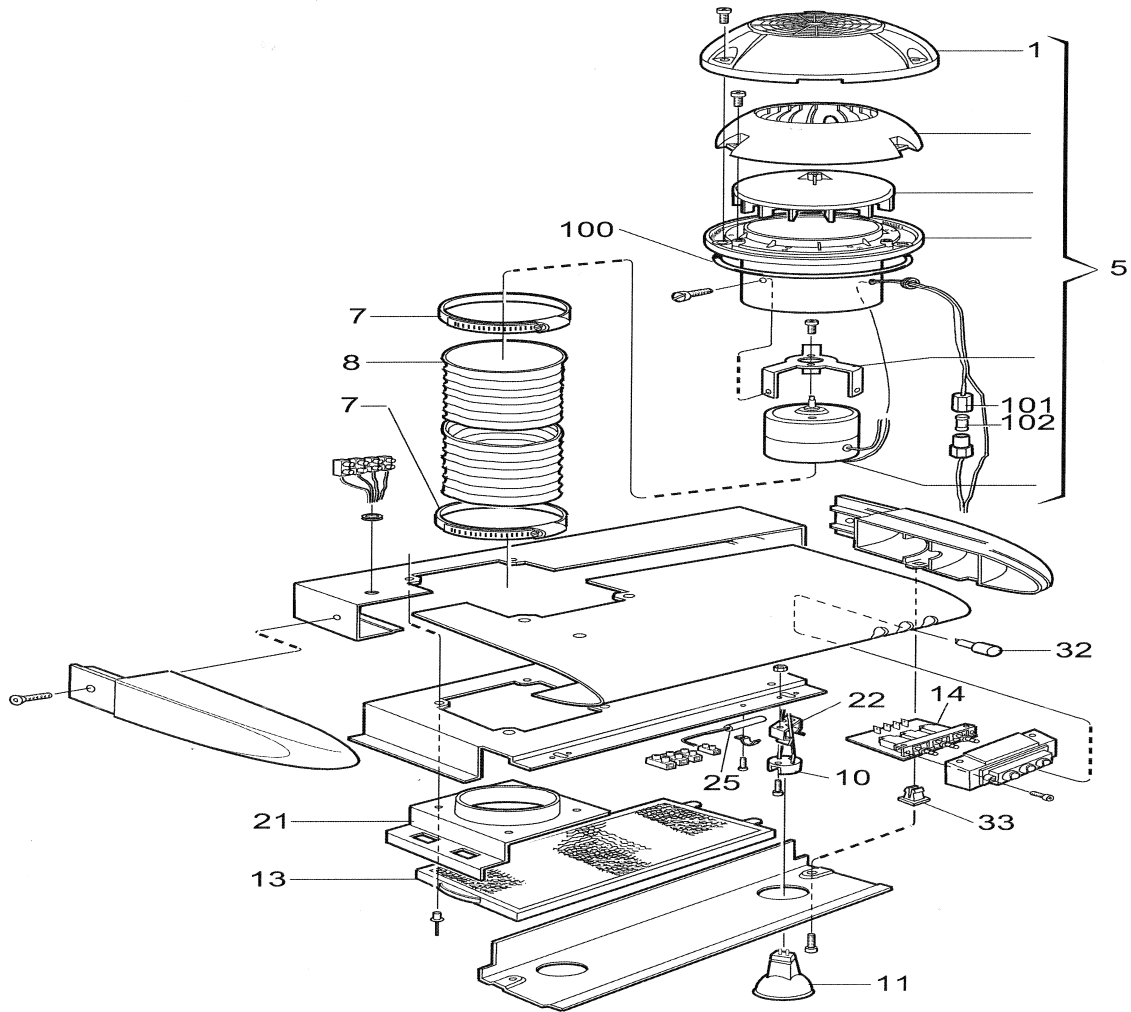
Halogen lights (2 x 10 Watt, 12 Volt)

Robust plastic dome

Characteristics

Height (mm)	71
Height (mm)	399
Depth (mm)	277
Diameter of opening for installation (mm)	105
Halogen lights	2 X 10W
Lights (V)	12

CK155



1	TOP COVER	3850001037
5	FAN MOTOR COMPLETE	3850056015
7	CLIP / FASTENER	3858033040
8	PIPE 4"	3002016008
10	LAMP SOCKET	3850062021
11	LAMP 10W 12V	3850059019
13	MAIN FILTER	3850045018
14	SWITCH	3850063011
21	INLET	3850047014
22	SPRING	3850061015
25	CONDUCTOR WITH RESISTOR	3850066014
100	GASKET	4902026006
101	FUSE RETAINER	3850069018
102	FUSE 4amp	7628213915