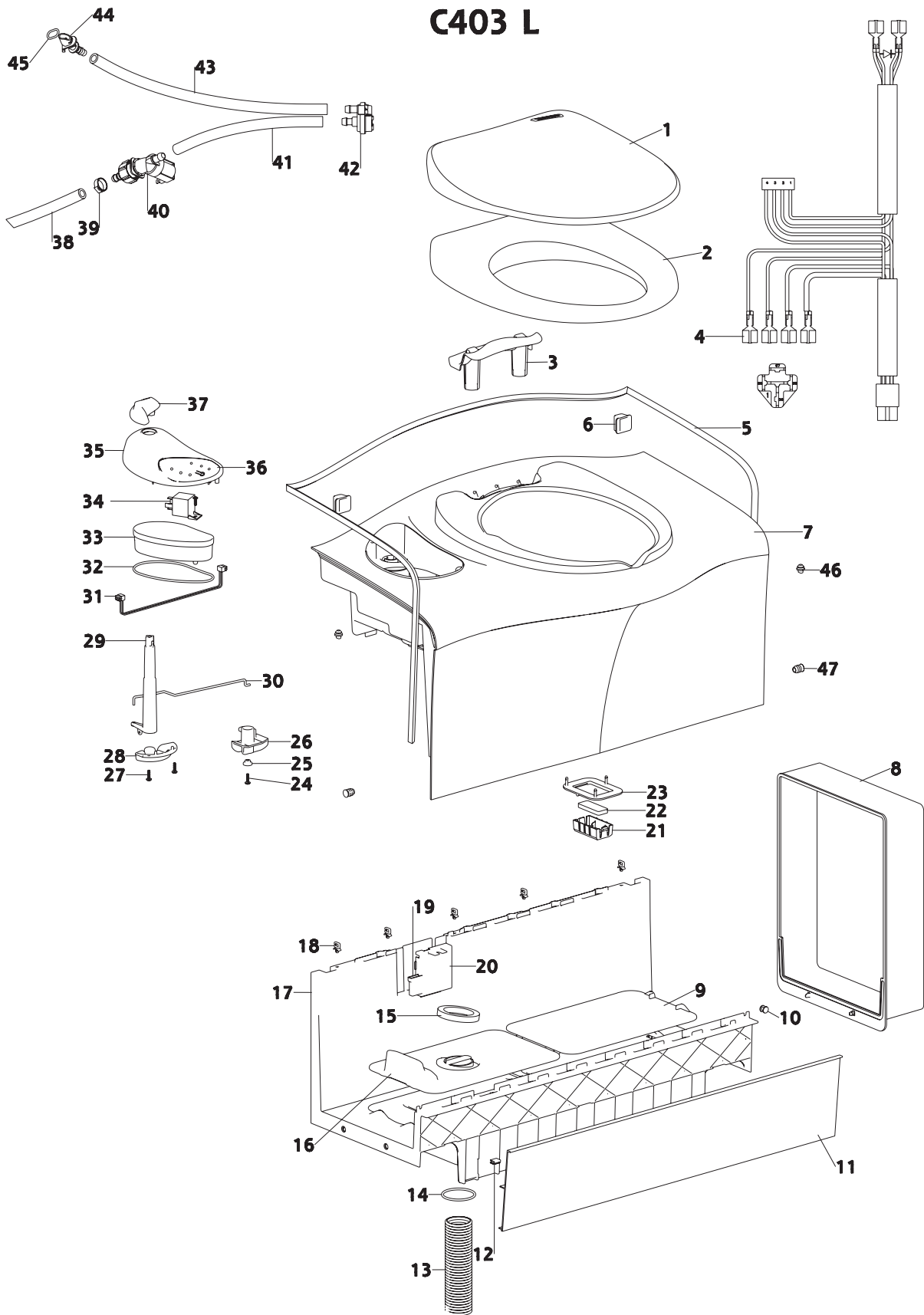


# C403 L



(LO-030.01)

## C-403 L (LO-062.00)

	Single spare part number	Assembly spare part number	Available in colour number
1. Cover			
2. Seat		32309	62
3. Pod			
<hr/>			
4. Wire harness			
<hr/>			
5. Wall seal		32311	
<hr/>			
6. Bracket			
7. Bench			
8. Door interface			
9. Storage cover			
10. Lock plug *			
11. Kicking plate			
Kicking plate LB			
12. Clip			
<hr/>			
13. Vent hose			
14. O-ring		32324	
15. Seal vent plate			
<hr/>			
16. Vent plate			
17. Base			
18. Wire clip			
<hr/>			
19. Fuse		21766	
<hr/>			
20. Reed switch housing HT		32317	62
Reed switch PCB			

\* For toilet produced until May 2004

## C-403 L (LO-063.01)

	Single spare part number	Assembly spare part number	Available in colour number
21. Magnet basket			
22. Magnet			
23. Retaining plate			
24. Screw			
25. Bushing			
26. Saddle			
27. Screw			
28. Bracket			
29. Shaft			
30. Link			
31. Wire harness		32319	
32. O-ring			
33. Control well			
34. Relais		20106	
35. Control panel Control PCB		32313	62
36. Overlay			
36. Overlay		32314	
37. Handle			
38. Water supply tube			
39. Clamp			
40. Electric valve		20104	
41. Water tube			
42. Vacuum breaker		16833	
43. Flush tube			
44. Nozzle			
45. O-ring			
46. Plug sight tube hole *			
47. Blindplug *			

\* For toilet produced after October 2005