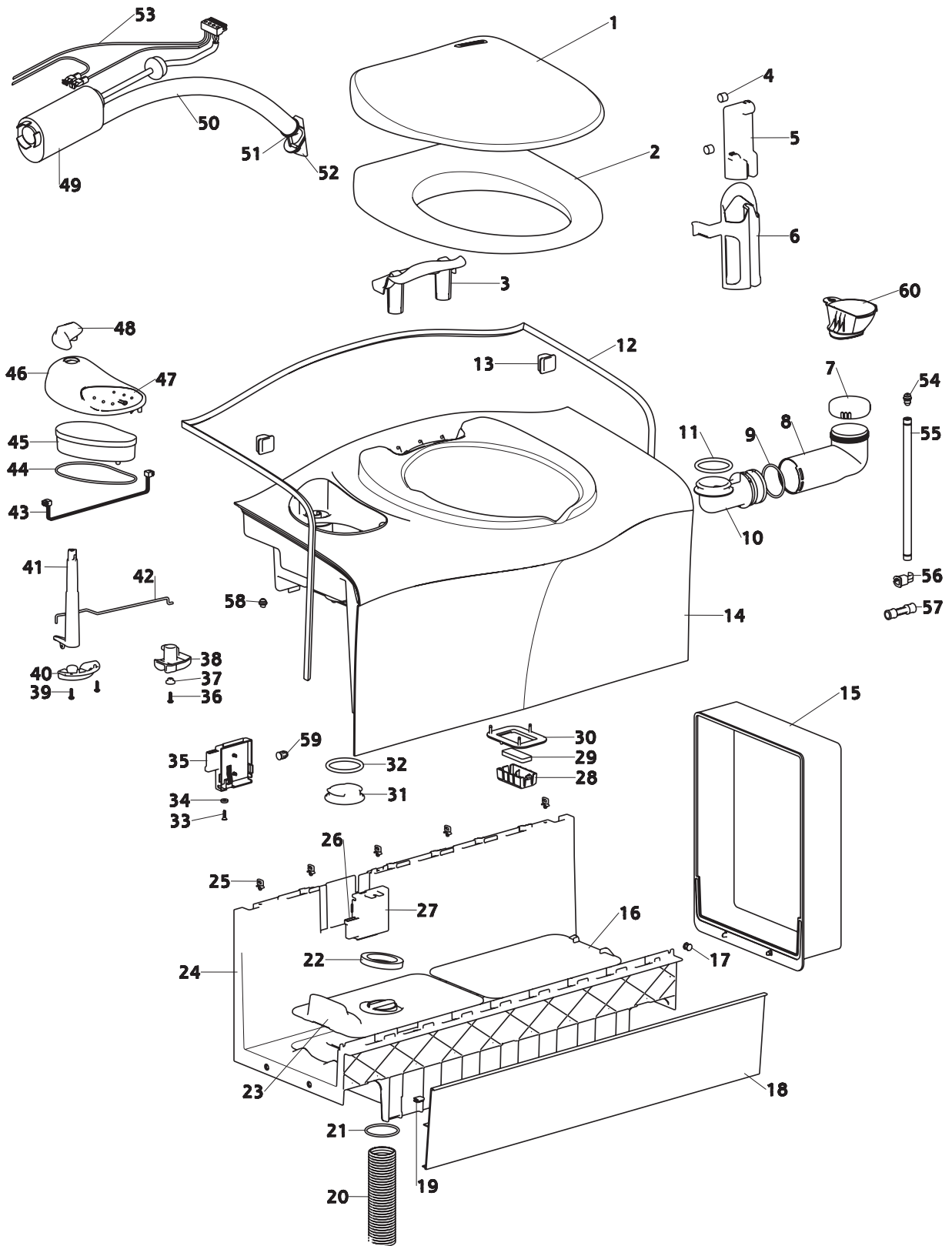


C402 C/X



(LO-029.01)

C-402 C/X (LO-059.00)

	Single spare part number	Assembly spare part number	Available in colour number
1. Cover			
2. Seat		32309	62
3. Pod			
4. Magnet			
5. Float box for X model/foam		32330	62
6. Float box guiding for X model incl. reed switch PCB nr. 35			
7. Cap fill bottle Seal	16848-16		
8. Fill funnel		32315	06
9. O-ring			
10. Fill funnel elbow			
11. O-ring			
12. Wall seal		32311	
13. Wall bracket			
14. Bench			
15. Door interface			
16. Storage cover			
17. Lock plug *			
18. Kicking plate Kicking plate LB			
19. Clip			
20. Vent hose			
21. O-ring		32324	
22. Seal vent plate			

* For toilet produced until May 2004

Cassette

C-402 C/X (LO-060.00)

	Single spare part number	Assembly spare part number	Available in colour number
23. Vent plate			
24. Base			
25. Wire clip			
<hr/>			
26. Fuse		21766	
C model			
27. Reed switch housing HT Reed switch PCB		32316	62
X model			
27. Reed switch housing HT Reed switch PCB		32317	62
<hr/>			
28. Magnet basket			
29. Magnet			
30. Retaining plate			
31. Plug fill bottle			
32. O-ring			
33. Screw			
34. Washer			
<hr/>			
X model			
35. Reed switch housing WT Reed switch PCB incl. float box nr. 4-5-6		32330	62
<hr/>			
36. Screw			
37. Bushing			
38. Saddle			
39. Screw			
40. Bracket			
41. Shaft			
42. Link			

C-402 C/X (LO-061.01)

	Single spare part number	Assembly spare part number	Available in colour number
43. Wire harness		32319	
44. O-ring			
45. Control well			
C model			
46. Control panel Control PCB		32320	62
47. Overlay			
47. Overlay		32321	
X model			
46. Control panel Control PCB		32322	62
47. Overlay			
47. Overlay		32323	
48. Handle			
49. Pump		16374	
50. Flush tube			
51. O-ring			
52. Nozzle			
53. Wire harness main power			
54. Drain connector *			
55. Sight glass *			
56. Clamp *			
57. Drain tube *			
58. Plug sight tube hole *			
59. Blind plug *			
60. Waterfill extension		32329	16

* For toilets produced after October 2005