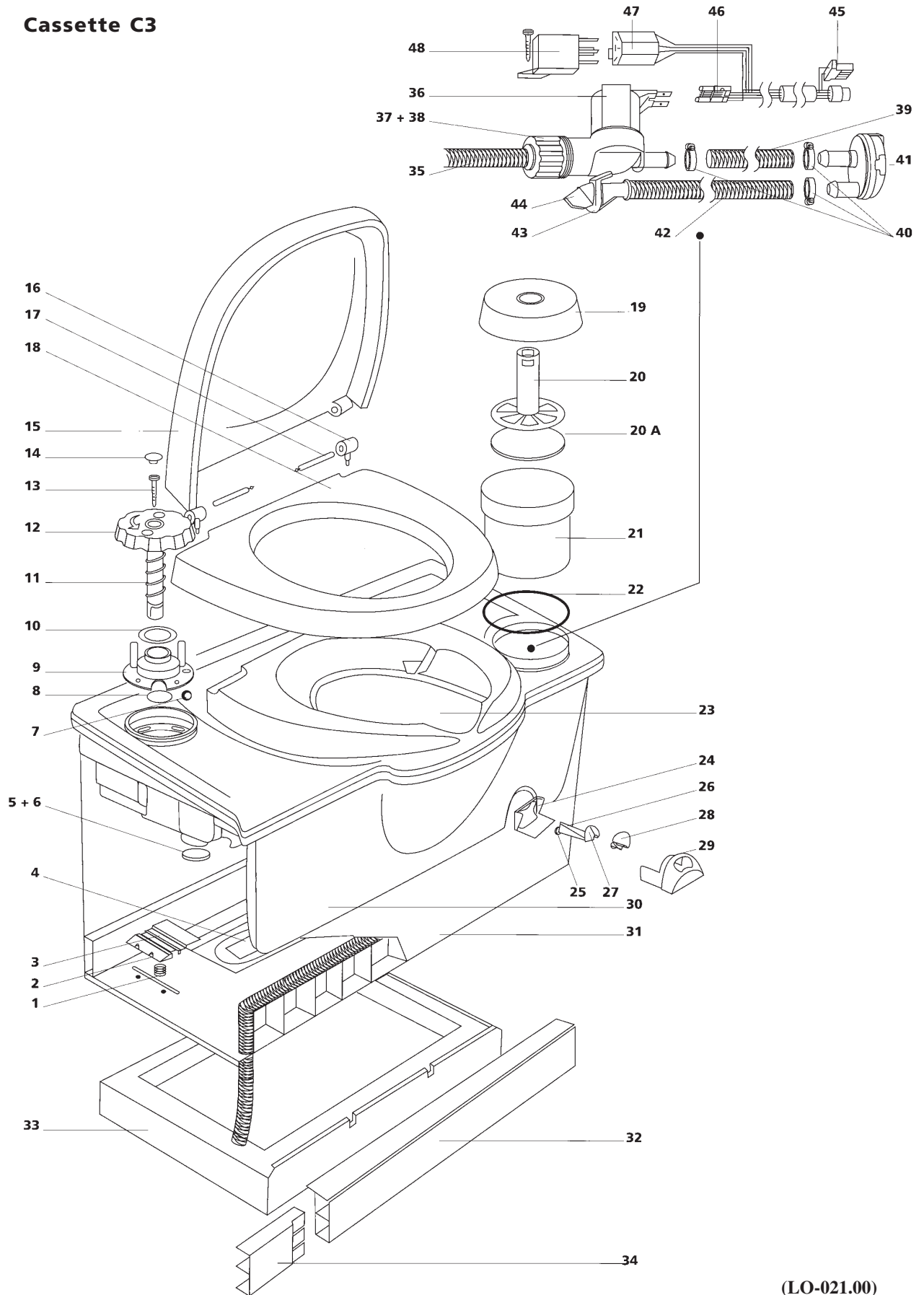


Cassette C3



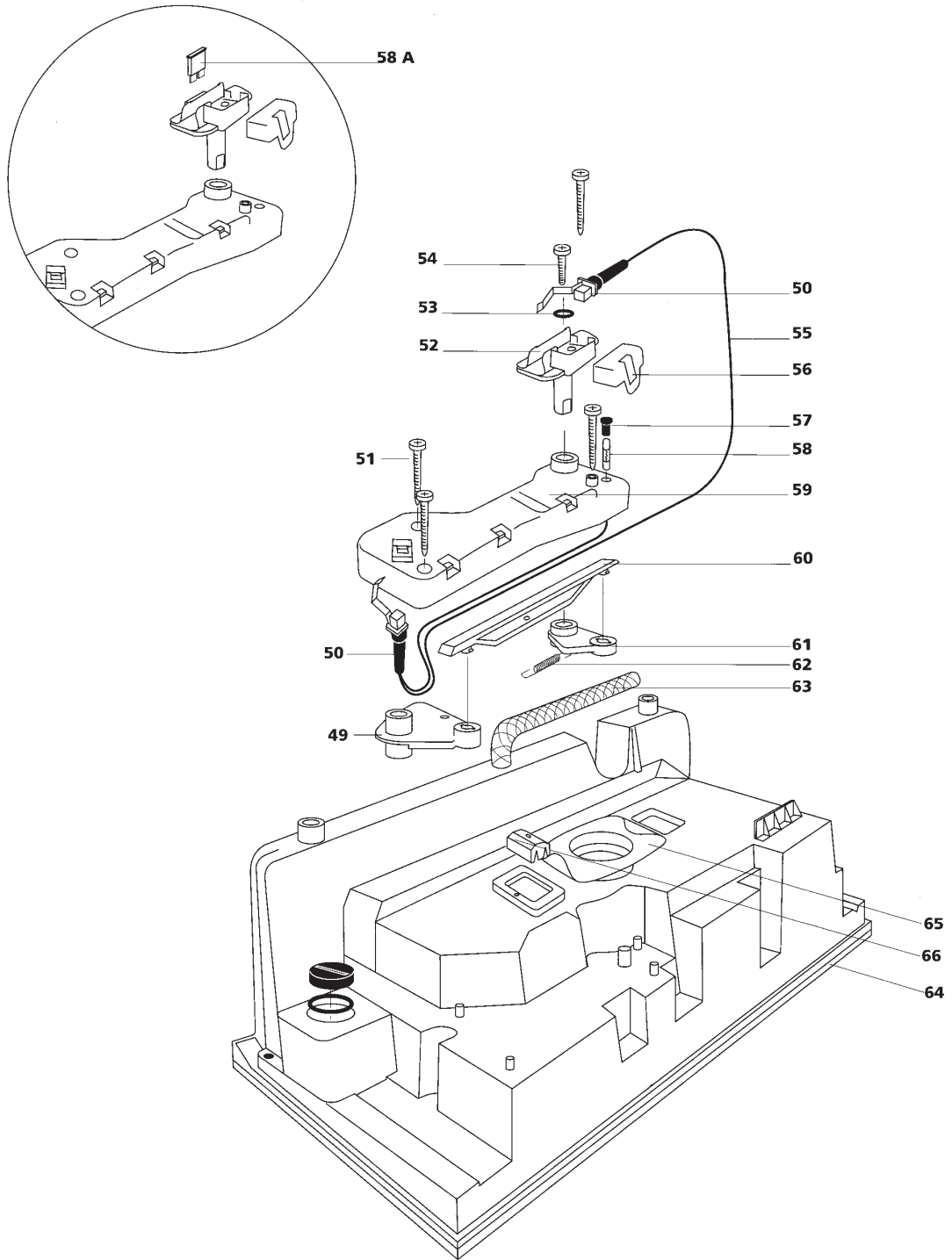
(LO-021.00)

Cassette C3 (LO-051.00)

Spare part	Single spare part number	Assembly spare part number	Available in colour number
1. Spring clip retainer	16169		
2. Clip retainer		16350	78
3. Clip			
4. Drip tray	16166		78
5. Plug fill bottle			
6. O-ring			
7. Ball float			
8. O-ring			
9. Stop retainer			
10. Nylon bushing			
11. Spring flush knob		16377	62
12. Flush knob			
13. Screw			
14. Plug flush knob			
15. Cover		16194	62
16. Hinge post	16183		10/62/70
17. Hinge pin			
18. Seat			
19. Tissue cap			
20. Tissue holder		16184	62/70
20. A Tissue bracket			
21. Tissuwell			
22. O-ring			
23. Bowl			
24. Dial support			
25. Magnet			
26. Level indicator dial		16171	10/62/70
27. Decal level indicator			
28. Lens			
29. Level indicator bezel			
30. Bench			
31. Base			
32. Frontpanel			
33. Basepad			
34. Extension frontpanel	16266		10/62
35. Watersupply tube			
36. Electric valve		20104	
37. Hose barb			
38. Hose nut			
39. Watertube			
40. Clamp			
41. Vacuumbreaker	16833		
42. Flush tube			
43. O-ring		20103	10/62
44. Nozzle			
45. Electric connection mechanism			
46. Electric connection valve			
47. Electric connection relay			
48. Relay	20106		

For colournumber see page 68

C3



(LO-022.00)

Cassette C3 bench (LO-052.00)

Spare part	Single spare part number	Assembly spare part number	Available in colour number	
49. Crank				
50. Switch	20107			
51. Screw				
52. Saddle				
53. Washer				
54. Screw				
55. Cable	16389		16379	74
56. Switch cover	16390			10
57. Cap fuse holder				
58. Glass fuse 3 Amp	16391			
58. A Fuse 3 Amp*	21766			
59. Mechanism housing				
60. Link				
61. Crank				
62. Spring				
63. Watersupply tube				
64. Bench				
65. Bowlflange				
66. Magnet basket				

Cassette

* Toilets produced after June 1994