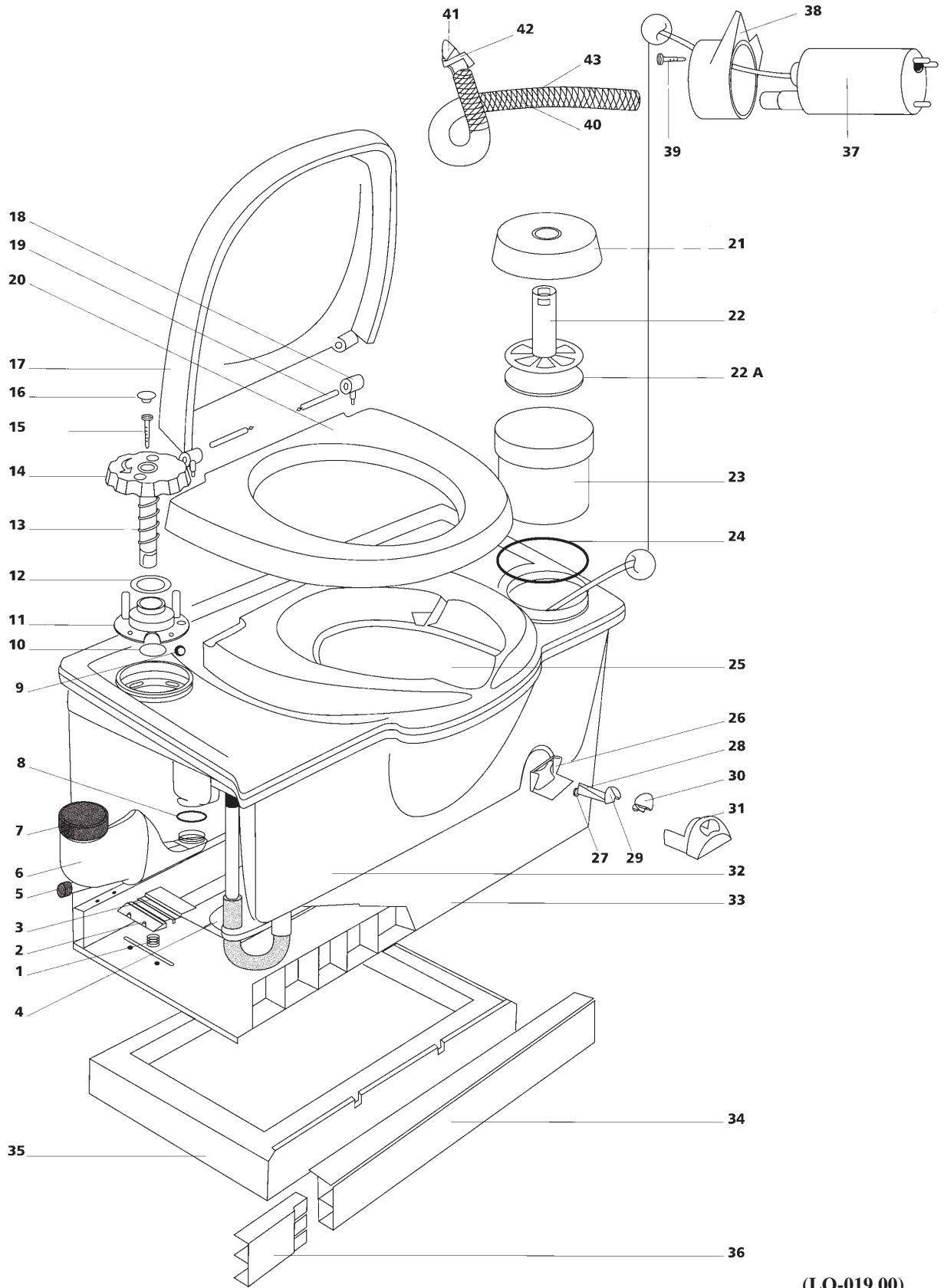


Cassette C2



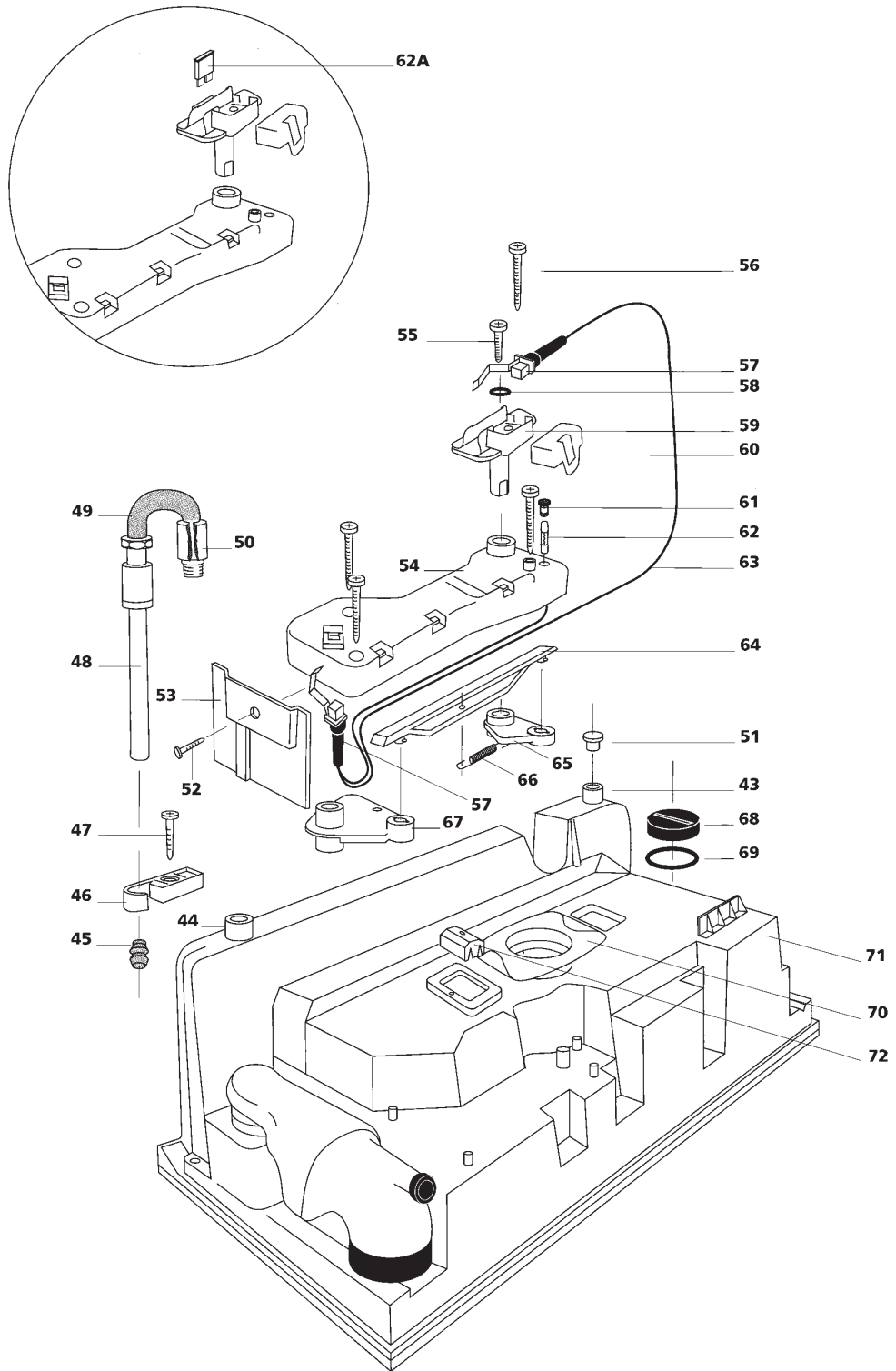
(LO-019.00)

Cassette C2 (LO-049.01)

Spare part	Single spare part number	Assembly spare part number	Available in colour number
1. Spring clip retainer	16169		
2. Clip retainer		16350	78
3. Clip			
4. Drip tray	16166		78
5. Draincap waterfillfunnel	16385		78
6. Waterfillfunnel		16381	74
7. Cap waterfillfunnel	16848		78
8. O-ring			
9. Ball float			
10. O-ring			
11. Stop retainer			
12. Nylon bushing			
13. Spring flush knob			
14. Flush knob		16377	62
15. Screw			
16. Plug flush knob			
17. Cover		16194	62
18. Hinge post	16183		10/62/70
19. Hinge pin			
20. Seat			
21. Tissue cap			
22. Tissue holder		16184	62/70
22. A Tissue bracket			
23. Tissuwell			
24. O-ring			
25. Bowl			
26. Dial support			
27. Magnet			
28. Level indicator dial			
29. Decal level indicator		16171	10/62/70
30. Lens			
31. Level indicator bezel			
32. Watertank			
33. Base			
34. Frontpanel			
35. Basepad			
36. Extension frontpanel	16266		10/62
37. Pump	16374		
38. Pump retainer			
39. Screw			
40. Flush tube			
41. O-ring		16378	10/62
42. Nozzle			
43. Flow restrictor			
Pump connector		21050	

Cassette

C2



(LO-020.00)

Cassette C2 bench (LO-050.00)

Spare part	Single spare part number	Assembly spare part number	Available in colour number
44. Connection draintube			
45. Drain connector			
46. Bracket			
47. Screw			
48. Sight glass			
49. Draintube		LH = 21370	
50. Clamp collar		RH = 21371	
51. Blind plug			
<hr/>			
52. Skiffy fastener			
53. Splash guard			
<hr/>			
54. Mechanism housing			
55. Screw			
56. Screw			
57. Switch	20107		
58. Washer			
59. Saddle			
60. Switch cover	16390		10
61. Cap fuse holder		16379	74
62. Glass fuse 3 Amp	16391		
62. A Fuse 3 Amp*	21766		
63. Cable	16389		
64. Link			
65. Crank			
66. Spring			
67. Crank			
<hr/>			
68. Plug fill bottle			
69. O-ring			
70. Bowflange			
71. Bench/watertank			
72. Magnet basket			

* Toilets produced after June 1994

Cassette