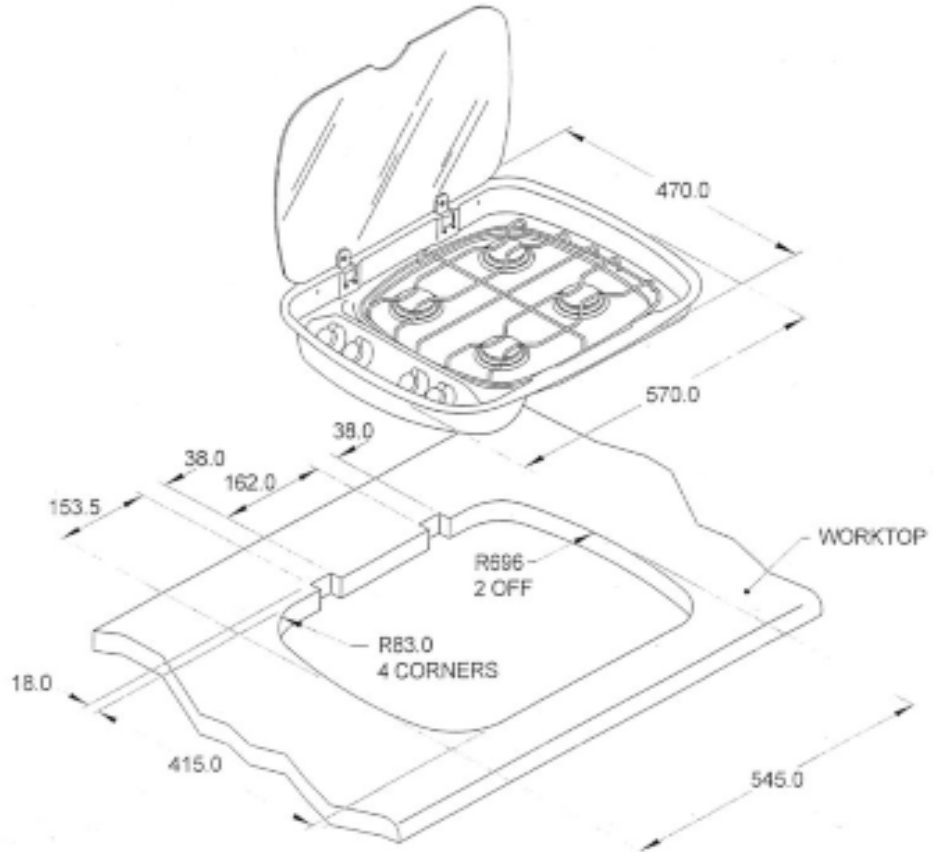


Technical Specification



Weight:- 8.0kg
 Operating Pressures:-
 Propane (G31) 37mbar
 Butane (G30) 28mbar
 Heat Input
 1.5kw Per Burner
 Total:- 6kw



PARTS LIST

1	PCC2005.BK	GLASS LID HINGE	2
2	PCC1900.BK	GLASS LID SMOKED	1
2	PCC1902	GLASS LID CHINCHILLA	1
	PCC1903.BK	CHINCHILLA LID WITH BLACK LINES (EXPLORER ONLY)	
3	PCC0643	PAN SUPPORT CHROME 4 BURNER HOB	1
3	PCC0639	PAN SUPPORT CHROME 3 BURNER HOB	1
3	PCC0661	PAN SUPPORT CHROME 3 BURNER (RAPID STYLE)	1
4	MCP2940	HOB PRESSING 4BFI LHC	1
5	CX0119	SCREW M4x12	4
6	PCC0647	PAN SUPPORT CLIPS	4
7	PCC0815	SCREW FOR BURNER CAP - 2 PER CAP	8
8	PCC0813	BURNER CAP DRILLED	4
9	PCC0812	BURNER FLAME SPREADER	4
10	PCX0111	RIV NUT M4 TURNED	4
11	PCX0456	WASHER SHOULDER 10x3	4
12	PCX0123	SCREW M4x6 POZI P/H	4
13	PCC0618	CONTROL KNOB	4
14	PCC0785	NUT M13x1	4
15	PCX0345	WASHER CUP RUBBER	4
16	PCX0177	FIBRE WASHER	8
17	PCC0814	FIXING STUD FOR BURNER CAP	8
18	PCC0718	GAS TAP FFD/8FC BURNERS	4
	PCC0728	SPADE GAS TAP	4
19	PCC0711	GASKET L.P. TAP	4
20	MCC0601	SADDLE CLAMP 8mm SABAF	4
21	PCX0118	SCREW M3x6 POZI PAN	8
22	MCC0765	MANIFOLD 8mm 4B SABAF	1
23	PCO0365	OLIVE 6mm	4
24	PCC0730	NUT 6mm MALE	4
25	PCC1167	THERMOCOUPLE 320mm	2
	PCC1132	SPADE THERMOCOUPLE 450mm	2

26	MCC7243	GAS PIPE TAP - BURNER	1
27	PCO0165	NUT MALE 6-8mm	4

PARTS LIST (CONTINUED)

28	PCO0166	OLIVE 6-8mm	4
29	PCC1168	THERMOCOUPLE 450mm	2
	PCC1132	SPADE THERMOCOUPLE 450mm	2
30	PCC0797	BURNER CUP AND JET	4
31	MCC7242	GAS PIPE TAP - BURNER	1
32	MCC7241	GAS PIPE TAP - BURNER	1
33	MCC7240	GAS PIPE TAP - BURNER	1
34	PCC1455	SPARK ELECTRODE 600mm	2
35	PCC1453	SPARK ELECTRODE 300mm	2
36	PCC1399	SPARK GENERATOR	1
37	PCC1420	MICROSWITCH FOR SPARK IGNITION	1
ALSO SUPPLIED BUT NOT ON THE DRAWING			
	PCC1200	SEAL FOR SINK TO WORK SURFACE 1.9M	1
	PCC1270	INSTRUCTIONS FOR OPERATION	1
	PCX0385	RUBBER BUMP STOP FOR GLASS LID	2
	PCC2405	DECAL TRANSFER 3 BURNER HOB	1
	PCC2400	DECAL TRANSFER 4 BURNER HOB	1
SOME 3 BURNER ARGENT HOBS HAVE 2STD BURNERS & 1 LARGER RAPID BURNER			
	PCC0799	RAPID BURNER CUP & INJECTOR	1
	PCC0831	RAPID BURNER SPREADER	1
	PCC0833	RAPID BURNER CAP	1

SCHEMATIC DRAWING ON NEXT PAGE (3)

