

PRODUCT: BEL XOU60LPG Sat  
 COLOUR: Sat  
 CODE: **444447954**  
 ISSUE: 1  
 DATE: 13/07/2006



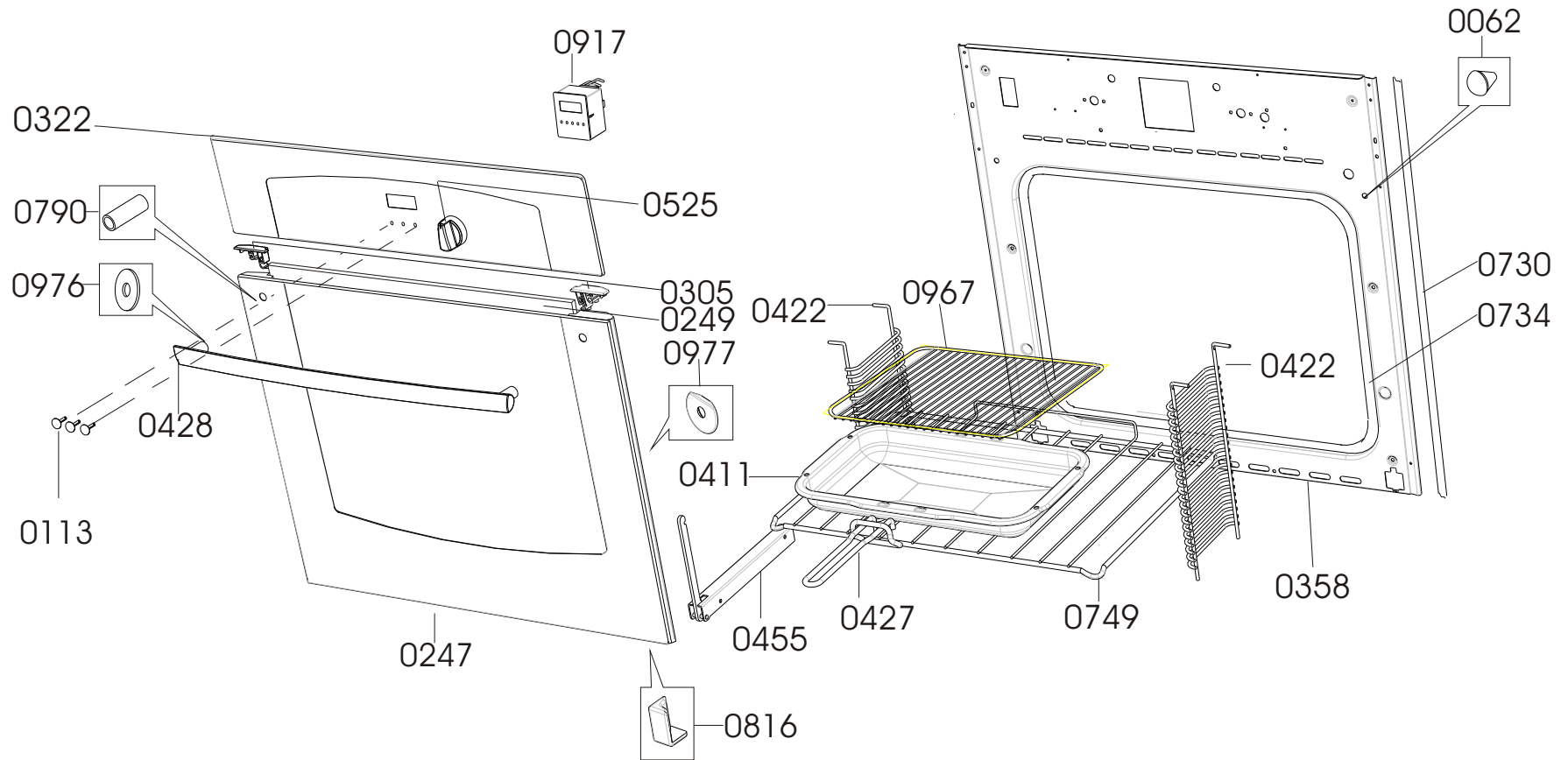
Key	Product	Product Description	TCO	Replace	Date	Qty
0003	082321500	ADAPTOR grill jet 081 KB				1
0040	081798800	BLOCK terminal				1
0044	502322000	BRACKET grill	####			2
0044	082322000	BRACKET grill				2
0049	502819300	BRACKET switch location				1
0057	082230700	BRACKET tap rail				1
0058	502322100	BRACKET thermocouple				1
0062	082502700	BUFFER door				2
0065	012551105	BURNER oven complete assy				1
0067	082274704	BURNER grill 32005				1
0113	082830700	BUTTON timer Nic				3
0124	081422011	CABLE mains PC 538				1
0136	082230902	CAP grill burner				1
0143	502493800	CLADDING base/sides (600)				1
0144	502500400	CASING top/rear 60 gas				1
0178	082239600	CLIP bunny				2
0178	268287000	CLIP pipe				2
0180	080181345	CLIP phial/probe				2
0182	082101600	CLIP tubular				4
0207	502195701	COVER grill				1
0247	012577889	DOOR assy ovn gls (glued) Sat				1
0249	081551880	GLASS inner main oven door	27/06/06			1
0305	082463300	ENDCAP set lh/rh				1
0314	082233400	FAN cooling DP203A-2123LST-C31				1
0322	012550494	FASCIA assy Sat/Blk				1
0358	602593200	FRONT FRAME (pristine)				1
0388	082580401	GENERATOR ignition DG332				1
0398	082911308	GLASS inner main oven				1
0411	602517702	GRILL PAN (pristine)				1
0412	082469100	GRIP handle grill pan				1
0417	281228900	GROMMET 20.6mm dia				1
0422	082512200	GUIDE oven shelf (15 position)				2
0424	082720201	HANDBOOK BELL XOU60/70/90G				1
0424	082530702	LEAFLET installation				1
0427	082283705	HANDLE grill pan				1
0428	082870100	HANDLE door Sta				1
0455	082821002	HINGE oven				2
0467	081551316	HOLDER phial				1
0498	081794607	INJECTOR grill 0.74mm				1
0510	082227905	INSULATION oven fully encap				1
0514	082596900	SWITCH rotary (ITW 91-900106)				1
0517	082353001	INSULATION mainoven back(foil)				1
0525	082830200	KNOB control Sta				1
0544	926016900	LAMP assy oven				1
0558	080125000	LOCKNUT thermocouple BRAS				1
0589	612518930	OVEN cavity (pristine)				1
0622	082814400	PCB fan control				1
0637	082905700	PIPE stat to grill injector				1

0637	082905600	PIPE thermostat to oven burner				1
0655	502860100	PLATE base				1
0701	082453500	PLUG Ref:P504006 black				2
0728	080180676	SCREW m6x30 pp mc				2
0730	082800600	SEAL edge 580mm				2
0734	082501400	SEAL oven 50m roll				1.4
0736	081423974	SEAL tap 4mm COPRECI F3862-04				1
0749	082512302	SHELF main oven 452wide				2
0755	602474701	SHIELD oven burner (pristine)				1
0790	082557600	SPACER bush door handle				2
0816	082510800	STOP inner glass				2
0862	082303700	support rear tap rail inlet				1
0862	502303700	SUPPORT rear taprail inlet	23/06/06			1
0869	501544000	SUPPORT cavity vertical (ZAP)				2
0880	082808901	SWITCH thermal L100c				1
0880	082914200	SWITCH thermal cutout L120C				1
0880	082066200	SWITCH thermal cutout L120c	26/06/06			1
0900	082228503	TAPRAIL b/i 600				1
0906	082469800	THERMOCOUPLE with leads				1
0914	082334102	THERMOSTAT/GRILL TAP NG				1
0917	082874400	TIMER blue MM 600/900				1
0938	502303601	TRAY intermediate				1
0967	082518800	TRIVET grill pan				1
0976	082575601	WASHER door handle 15mm dia				2
0977	082495600	WASHER anti-rattle				4
0982	080482805	WIRE electrode 103481 I3 4				2



BELLING XOU60LPG ISSUE DATE 13-07-06

GAS BUILT-IN OVEN DOOR ,FASCIA AND FRONT FRAME ASSEMBLY



60LPG ISSUE DATE -13-07-06

GAS BUILT -IN OVEN CAVITY ASSEMBLY

